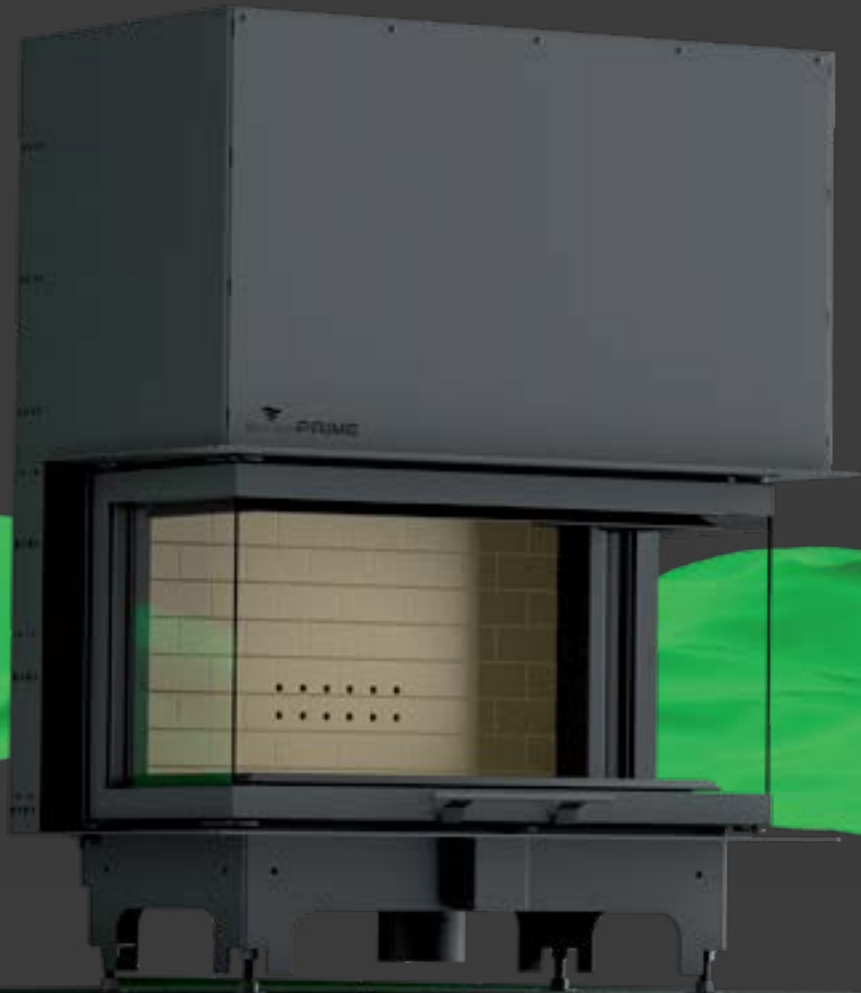




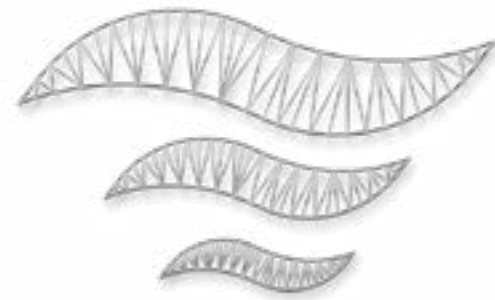
ECHA - TECH

PRIME

Collection



WE ARE



METICULOUS














ECOLOGICAL



STRONG

INDEX

	FONT Series	3 - 13
	FLAT Series	14 - 24
	DOUBLE Series	25 - 35
	CORNER Series	36 - 43
	3V Series	44 - 49
	EPI Series	50 - 53

	PRIZMA Series	54 - 59
	CYSSUS Series	60 - 61
	TEOS Series	62 - 65
	VOURLA Series	66 - 79
	CHIMERA Series	80



COMPANY

Echa-Tech Fireplace Systems, which was established in 2018, continues its activities in its head office in Warsaw, Poland and factory building in Izmir, Turkey.

Focusing on providing complete solutions for different types of needs, our company blends the highest quality materials and components used in production with its experience and it produces environmentally friendly products with high efficiency and low CO emissions based on European standards.

International certificates such as CE, Eco Design, and BIm SchV are among our most valuable achievements since we have obtained them as a result of the production processes we carry out without sacrificing quality.

We closely follow all the technological and environmental developments in the world related to our sector and continue to carry out the necessary R&D studies meticulously.

As a result of our coordinated execution of all processes such as supply, production, and delivery, we make the quality of Echa-Tech accessible.

Echa-Tech, which has continued working by raising its success rate since the first day of its establishment, is following its path in the sector by getting stronger day by day.



TECHNOLOGY

CNC Laser Cut

With the CNC Laser Cut systems, we perfectly bring our designs to life in the desired dimensions.

Bending Machine

With the press brake machine, we can engineer the same angle in all the products we produce.

Robot Welding

Thanks to robot welding, we can weld more precisely, smoothly and faster



PRIME

Collection

External decorative glass that gives the fireplace a modern look,

Air-assisted window cleaning system,

Automatic closing lids with vacuum system,

A++ efficiency class,

Adjustable legs for stabilising the fireplace,

Adjustable air supply control for high efficiency,

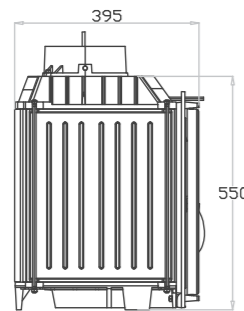
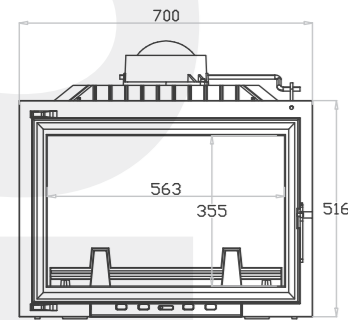
Secondary combustion system for recombustion of waste gases,

FONT

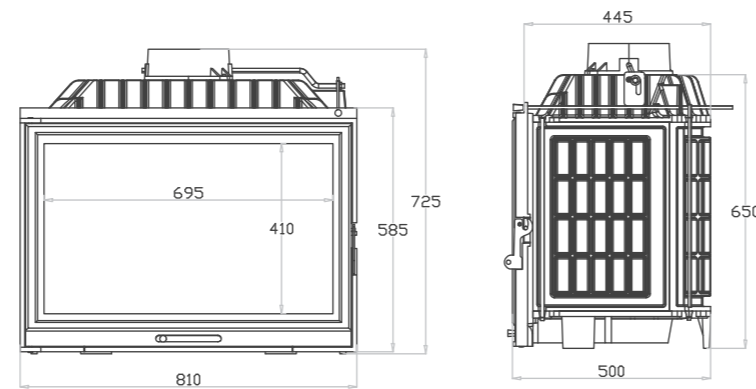
FONT 700



FONT	700	800
Nominal Power (kW)	14	17
Heating Power Range (kW)	7 - 20	11 - 24
Heating Efficiency (%)	75	77
Weight (kg)	132	198
Material	Cast Iron	Cast Iron
Equipment	Cast Iron	Cast Iron
Fuel Type	Wood	Wood
Exhaust Outlet Diameter (mm)	200	200
Exhaust Gas Temperature (°C)	153	177
Max Wood Length (cm)	50	60
Warranty (Year) :	5	5



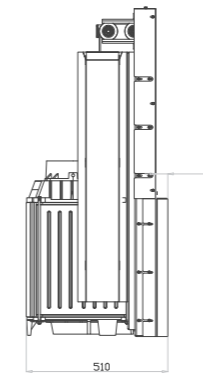
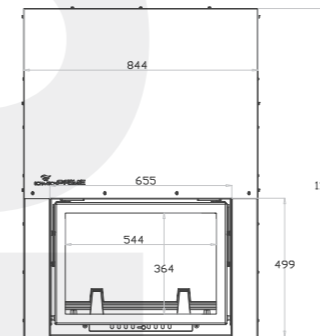
FONT 800



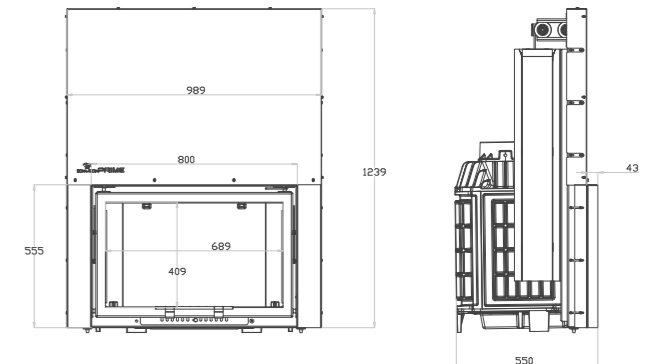
FONT 700/G



FONT	700/G	800/G
Nominal Power (kW)	14	17
Heating Power Range (kW)	7 - 20	11 - 24
Heating Efficiency (%)	75	77
Weight (kg)	204	261
Material	Cast Iron / Steel	Cast Iron / Steel
Equipment	Cast Iron	Cast Iron
Fuel Type	Wood	Wood
Exhaust Outlet Diameter (mm)	200	200
Exhaust Gas Temperature (°C)	153	177
Max Wood Length (cm)	50	60
Warranty (Year) :	5	5



FONT 800/G



FONT 700/L



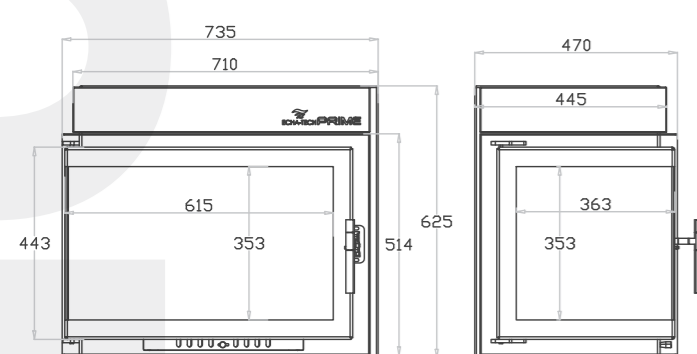
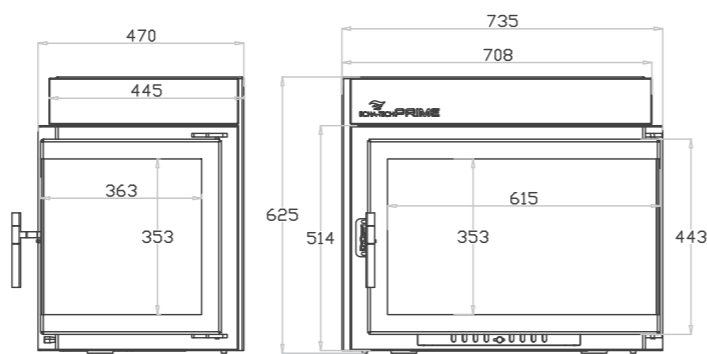
FONT 700

Nominal Power (kW)
 Heating Power Range (kW)
 Heating Efficiency (%)
 Weight (kg)
 Material
 Equipment
 Fuel Type
 Exhaust Outlet Diameter (mm)
 Exhaust Gas Temperature (°C)
 Max Wood Length (cm)
 Warranty (Year) :

L & R

14
 7 - 20
 75
 128
 Cast Iron / Steel
 Cast Iron
 Wood
 200
 153
 50
 5

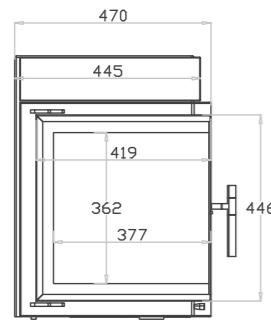
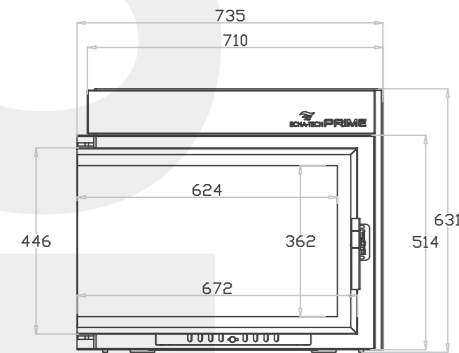
FONT 700/R



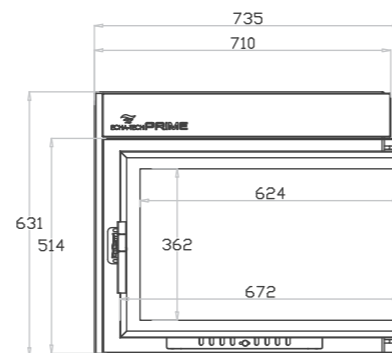
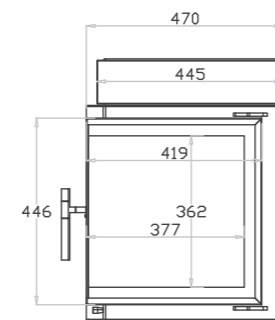
FONT 700/L/BE



FONT 700	L/BE & R/BE
Nominal Power (kW)	14
Heating Power Range (kW)	7 - 20
Heating Efficiency (%)	75
Weight (kg)	129
Material	Cast Iron / Steel
Equipment	Cast Iron
Fuel Type	Wood
Exhaust Outlet Diameter (mm)	200
Exhaust Gas Temperature (°C)	153
Max Wood Length (cm)	50
Warranty (Year) :	5



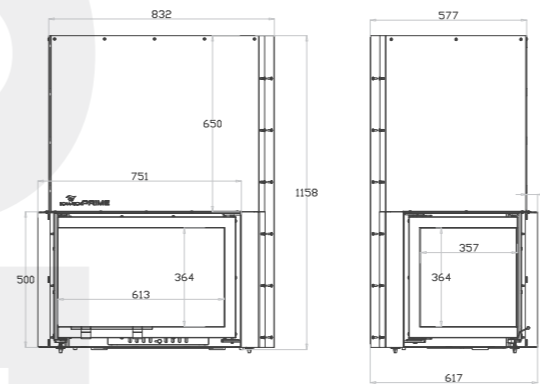
FONT 700/R/BE



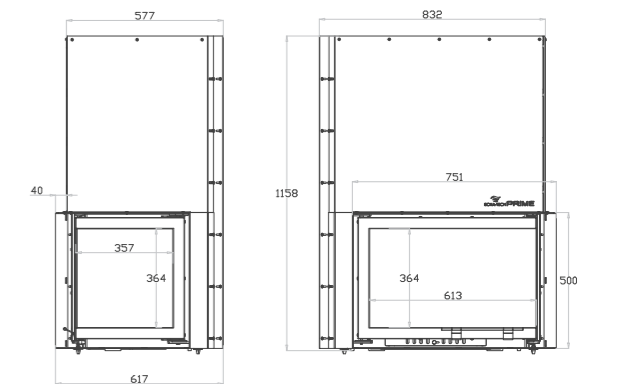
FONT 700/L/G



FONT 700	L/G & R/G
Nominal Power (kW)	14
Heating Power Range (kW)	7 - 20
Heating Efficiency (%)	75
Weight (kg)	214
Material	Cast Iron / Steel
Equipment	Cast Iron
Fuel Type	Wood
Exhaust Outlet Diameter (mm)	200
Exhaust Gas Temperature (°C)	153
Max Wood Length (cm)	50
Warranty (Year) :	5



FONT 700/R/G

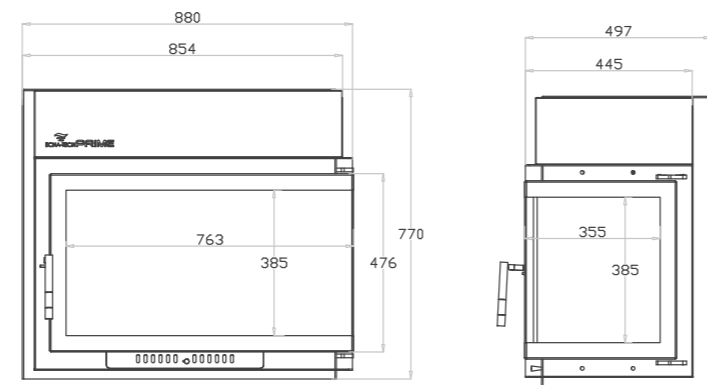


FONT 800/L

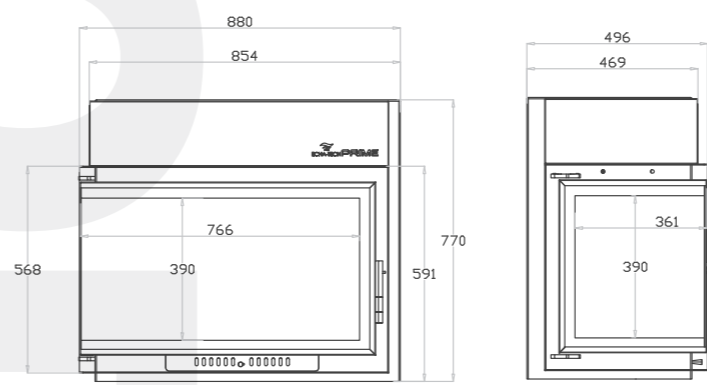


FONT 800	L & R
Nominal Power (kW)	17
Heating Power Range (kW)	11 - 24
Heating Efficiency (%)	77
Weight (kg)	195
Material	Cast Iron / Steel
Equipment	Cast Iron
Fuel Type	Wood
Exhaust Outlet Diameter (mm)	200
Exhaust Gas Temperature (°C)	177
Max Wood Length (cm)	60
Warranty (Year) :	5

FONT 800/R

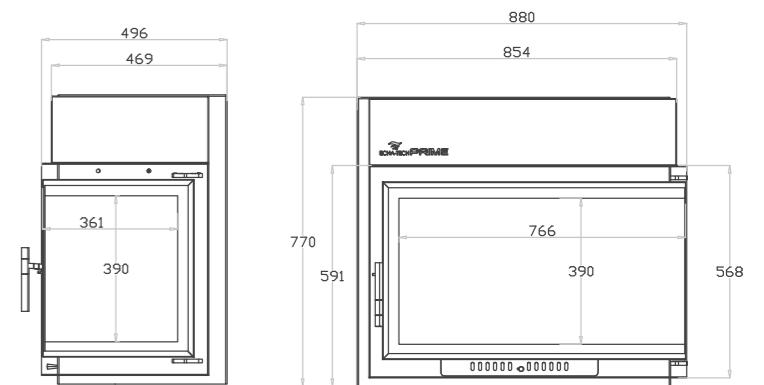


FONT 800/L/BE



FONT 800	L/BE & R/BE
Nominal Power (kW)	17
Heating Power Range (kW)	11 - 24
Heating Efficiency (%)	77
Weight (kg)	196
Material	Cast Iron / Steel
Equipment	Cast Iron
Fuel Type	Wood
Exhaust Outlet Diameter (mm)	200
Exhaust Gas Temperature (°C)	177
Max Wood Length (cm)	60
Warranty (Year) :	5

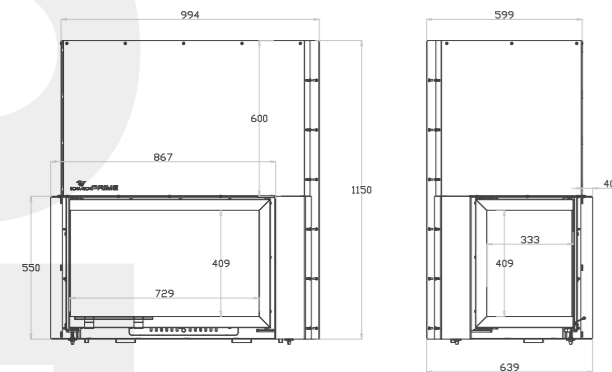
FONT 800/R/BE



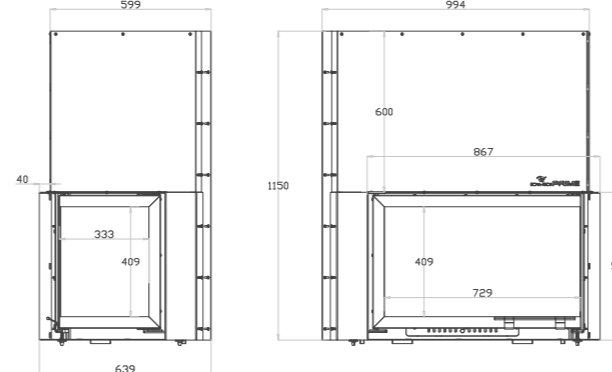
FONT 800/L/G



FONT 800	LG & RG
Nominal Power (kW)	17
Heating Power Range (kW)	11 - 24
Heating Efficiency (%)	77
Weight (kg)	269
Material	Cast Iron / Steel
Equipment	Cast Iron
Fuel Type	Wood
Exhaust Outlet Diameter (mm)	200
Exhaust Gas Temperature (°C)	177
Max Wood Length (cm)	60
Warranty (Year) :	5



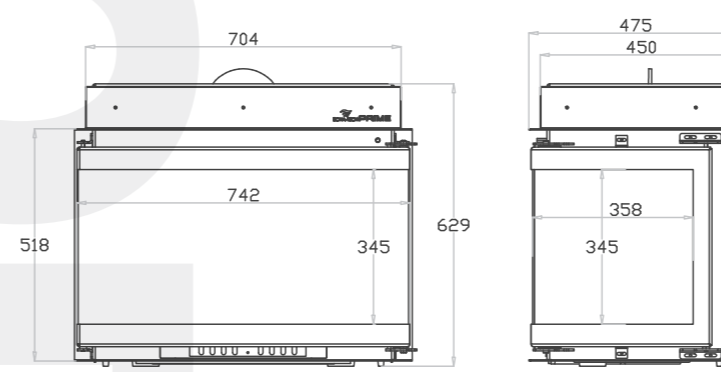
FONT 800/R/G



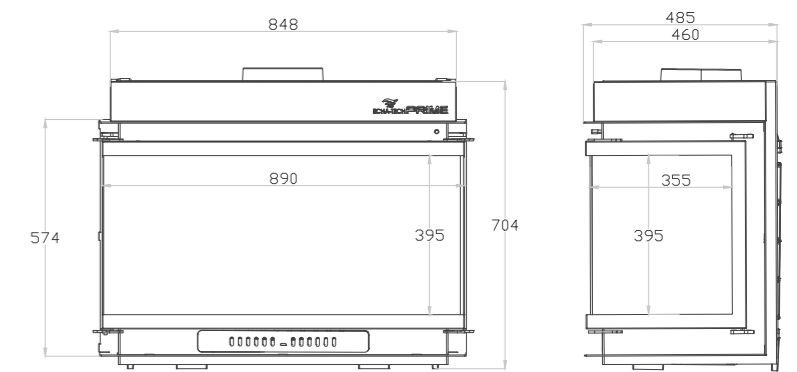
FONT 700/LR



FONT	700/LR	800/LR
Nominal Power (kW)	14	17
Heating Power Range (kW)	7 - 20	11 - 24
Heating Efficiency (%)	75	77
Weight (kg)	127	178
Material	Cast Iron / Steel	Cast Iron / Steel
Equipment	Cast Iron	Cast Iron
Fuel Type	Wood	Wood
Exhaust Outlet Diameter (mm)	200	200
Exhaust Gas Temperature (°C)	153	177
Max Wood Length (cm)	50	60
Warranty (Year) :	5	5



FONT 800/LR





PRIME

Collection

- External decorative glass that gives the fireplace a modern look,
- Air-assisted window cleaning system,
- Automatic closing lids with vacuum system,
- A++ efficiency class,
- Adjustable legs for stabilising the fireplace,
- Adjustable air supply control for high efficiency,
- Secondary combustion system for recombustion of waste gases,

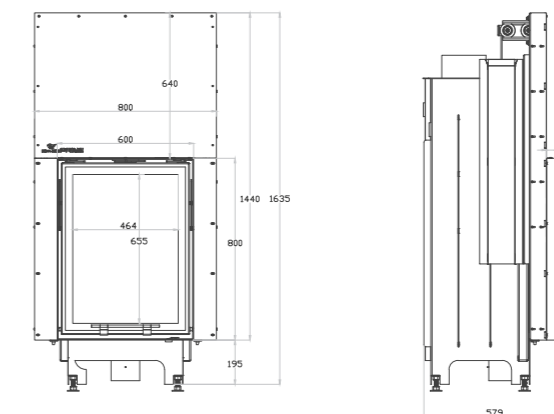
FLAT

FLAT 60x80/G/C



FLAT 60x80	G/C	G/V
Nominal Power (kW)	14	14
Heating Power Range (kW)	11 - 19	11 - 19
Heating Efficiency (%)	81	81
Weight (kg)	285	220
Material	Steel	Steel
Equipment	Cast Iron	Vermiculite
Fuel Type	Wood	Wood
Exhaust Outlet Diameter (mm)	200	200
Exhaust Gas Temperature (°C)	153	153
Max Wood Length (cm)	50	50
Warranty (Year) :	5	5

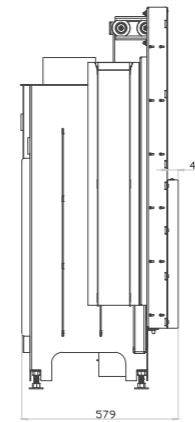
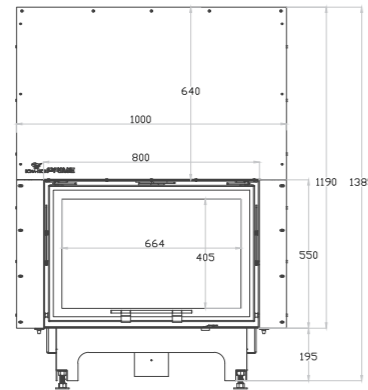
FLAT 60x80/G/V



FLAT 80x55/G/C



FLAT 80x55	G/C	G/V
Nominal Power (kW)	14	14
Heating Power Range (kW)	7 - 20	7 - 20
Heating Efficiency (%)	82	82
Weight (kg)	280	215
Material	Steel	Steel
Equipment	Cast Iron	Vermiculite
Fuel Type	Wood	Wood
Exhaust Outlet Diameter (mm)	200	200
Exhaust Gas Temperature (°C)	148	148
Max Wood Length (cm)	60	60
Warranty (Year) :	5	5



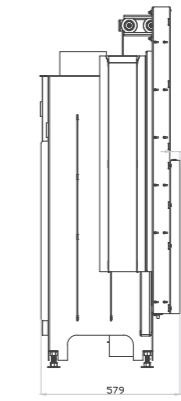
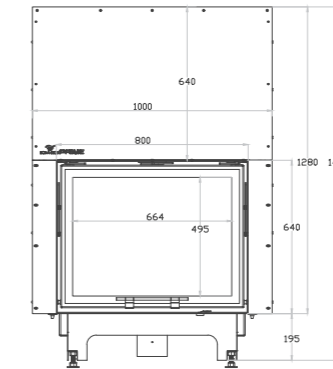
FLAT 80x55/G/V



FLAT 80x64/G/C



FLAT 80x64	G/C	G/V
Nominal Power (kW)	14	14
Heating Power Range (kW)	8 - 21	8 - 21
Heating Efficiency (%)	82	82
Weight (kg)	296	232
Material	Steel	Steel
Equipment	Cast Iron	Vermiculite
Fuel Type	Wood	Wood
Exhaust Outlet Diameter (mm)	200	200
Exhaust Gas Temperature (°C)	148	148
Max Wood Length (cm)	60	60
Warranty (Year) :	5	5



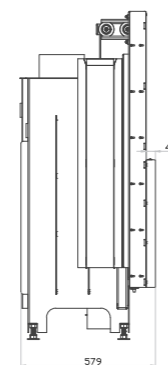
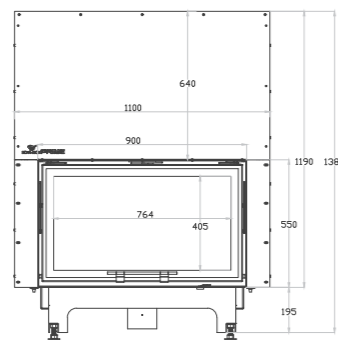
FLAT 80x64/G/V



FLAT 90x55/G/C



FLAT 90x55	G/C	G/V
Nominal Power (kW)	16	16
Heating Power Range (kW)	8 - 21	8 - 21
Heating Efficiency (%)	84	84
Weight (kg)	290	230
Material	Steel	Steel
Equipment	Cast Iron	Vermiculite
Fuel Type	Wood	Wood
Exhaust Outlet Diameter (mm)	200	200
Exhaust Gas Temperature (°C)	184	184
Max Wood Length (cm)	70	70
Warranty (Year) :	5	5



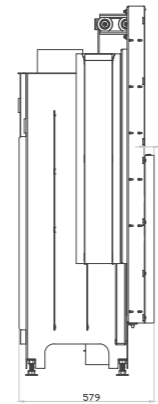
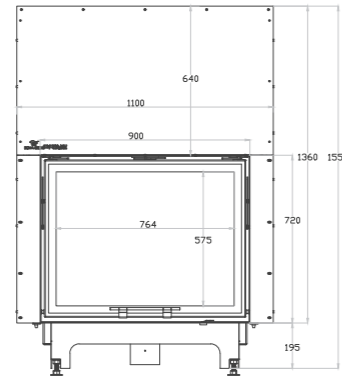
FLAT 90x55/G/V



FLAT 90x72/G/C



FLAT 90x72	G/C	G/V
Nominal Power (kW)	16	16
Heating Power Range (kW)	12 - 20	12 - 20
Heating Efficiency (%)	84	84
Weight (kg)	335	260
Material	Steel	Steel
Equipment	Cast Iron	Vermiculite
Fuel Type	Wood	Wood
Exhaust Outlet Diameter (mm)	250	250
Exhaust Gas Temperature (°C)	184	184
Max Wood Length (cm)	80	80
Warranty (Year) :	5	5



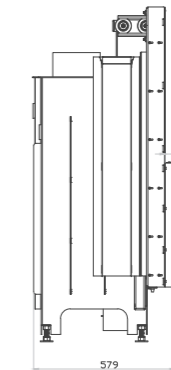
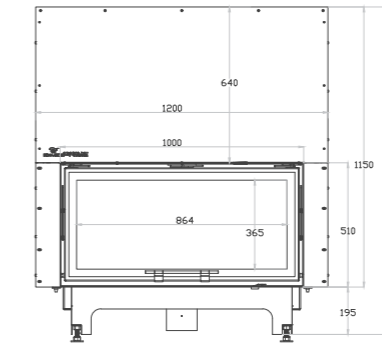
FLAT 90x72/G/V



FLAT 100x51/G/C



FLAT 100x51	G/C	G/V
Nominal Power (kW)	16	16
Heating Power Range (kW)	9 - 22	9 - 22
Heating Efficiency (%)	84	84
Weight (kg)	315	250
Material	Steel	Steel
Equipment	Cast Iron	Vermiculite
Fuel Type	Wood	Wood
Exhaust Outlet Diameter (mm)	200	200
Exhaust Gas Temperature (°C)	146	146
Max Wood Length (cm)	80	80
Warranty (Year) :	5	5



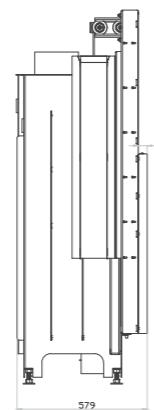
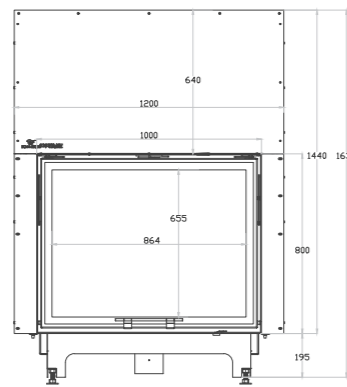
FLAT 100x51/G/V



FLAT 100x80/G/C



FLAT 100x80	G/C	G/V
Nominal Power (kW)	16	16
Heating Power Range (kW)	10 - 23	10 - 23
Heating Efficiency (%)	84	84
Weight (kg)	380	290
Material	Steel	Steel
Equipment	Cast Iron	Vermiculite
Fuel Type	Wood	Wood
Exhaust Outlet Diameter (mm)	250	250
Exhaust Gas Temperature (°C)	146	146
Max Wood Length (cm)	80	80
Warranty (Year) :	5	5



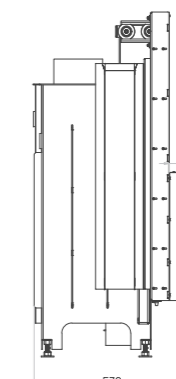
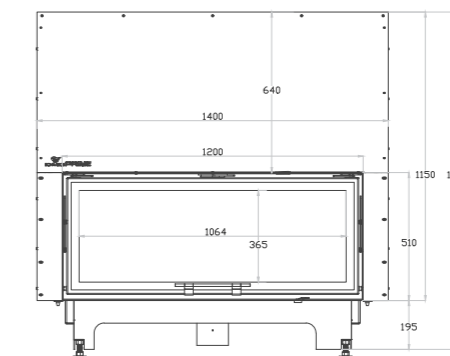
FLAT 100x80/G/V



FLAT 120x51/G/C



FLAT 120x51	G/C	G/V
Nominal Power (kW)	18	18
Heating Power Range (kW)	11 - 24	11 - 24
Heating Efficiency (%)	85	85
Weight (kg)	350	270
Material	Steel	Steel
Equipment	Cast Iron	Vermiculite
Fuel Type	Wood	Wood
Exhaust Outlet Diameter (mm)	250	250
Exhaust Gas Temperature (°C)	146	146
Max Wood Length (cm)	100	100
Warranty (Year) :	5	5



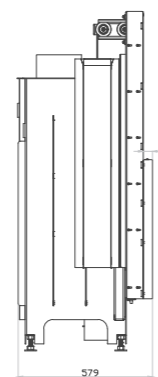
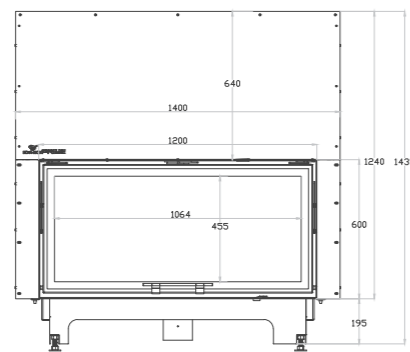
FLAT 120x51/G/V



FLAT 120x60/G/C



FLAT 120x60	G/C	G/V
Nominal Power (kW)	18	18
Heating Power Range (kW)	12 - 25	12 - 25
Heating Efficiency (%)	85	85
Weight (kg)	375	290
Material	Steel	Steel
Equipment	Cast Iron	Vermiculite
Fuel Type	Wood	Wood
Exhaust Outlet Diameter (mm)	250	250
Exhaust Gas Temperature (°C)	146	146
Max Wood Length (cm)	100	100
Warranty (Year) :	5	5



FLAT 120x60/G/V



PRIME

Collection

- External decorative glass that gives the fireplace a modern look,
- Air-assisted window cleaning system,
- Automatic closing lids with vacuum system,
- A++ efficiency class,
- Adjustable legs for stabilising the fireplace,
- Adjustable air supply control for high efficiency,
- Secondary combustion system for recombustion of waste gases,

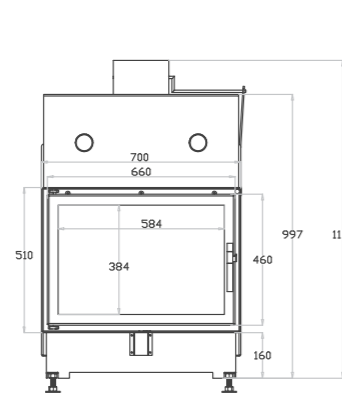
DOUBLE



DOUBLE 70x51/C



DOUBLE 70x51	C	V
Nominal Power (kW)	13	13
Heating Power Range (kW)	10 - 16	10 - 16
Heating Efficiency (%)	81	81
Weight (kg)	186	156
Material	Steel	Steel
Equipment	Cast Iron	Vermiculite
Fuel Type	Wood	Wood
Exhaust Outlet Diameter (mm)	200	200
Exhaust Gas Temperature (°C)	148	148
Max Wood Length (cm)	60	60
Warranty (Year) :	5	5



26

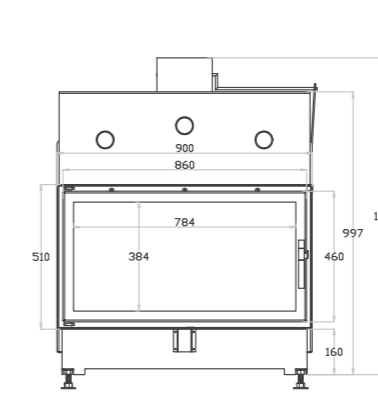
DOUBLE 70x51/V



DOUBLE 90x51/C



DOUBLE 90x51	C	V
Nominal Power (kW)	16	16
Heating Power Range (kW)	12 - 18	12 - 18
Heating Efficiency (%)	84	84
Weight (kg)	234	208
Material	Steel	Steel
Equipment	Cast Iron	Vermiculite
Fuel Type	Wood	Wood
Exhaust Outlet Diameter (mm)	200	Wood
Exhaust Gas Temperature (°C)	184	184
Max Wood Length (cm)	70	70
Warranty (Year) :	5	5



27

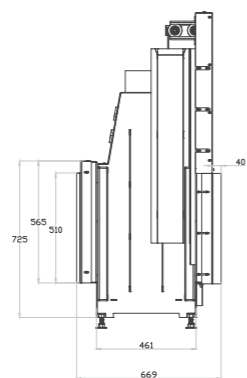
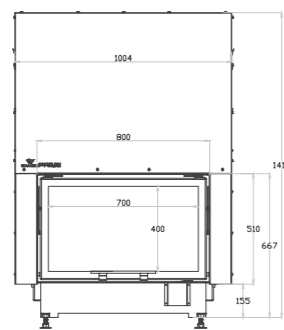
DOUBLE 90x51/V



DOUBLE 80x51/G/C



DOUBLE 80x51	G/C	G/V
Nominal Power (kW)	14	14
Heating Power Range (kW)	11 - 17	11 - 17
Heating Efficiency (%)	82	82
Weight (kg)	255	220
Material	Steel	Steel
Equipment	Cast Iron	Vermiculite
Fuel Type	Wood	Wood
Exhaust Outlet Diameter (mm)	200	200
Exhaust Gas Temperature (°C)	148	148
Max Wood Length (cm)	70	70
Warranty (Year) :	5	5



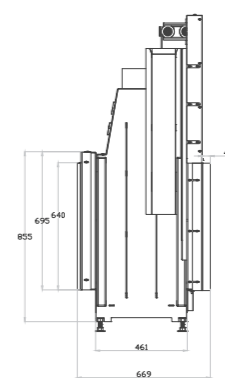
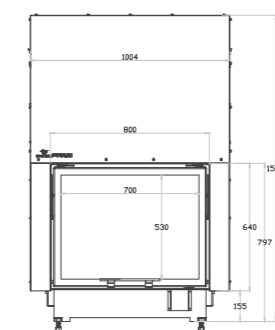
DOUBLE 80x51/G/V



DOUBLE 80x64/G/C



DOUBLE 80x64	G/C	G/V
Nominal Power (kW)	14	14
Heating Power Range (kW)	12 - 18	12 - 18
Heating Efficiency (%)	82	82
Weight (kg)	275	245
Material	Steel	Steel
Equipment	Cast Iron	Vermiculite
Fuel Type	Wood	Wood
Exhaust Outlet Diameter (mm)	200	200
Exhaust Gas Temperature (°C)	148	148
Max Wood Length (cm)	70	70
Warranty (Year) :	5	5



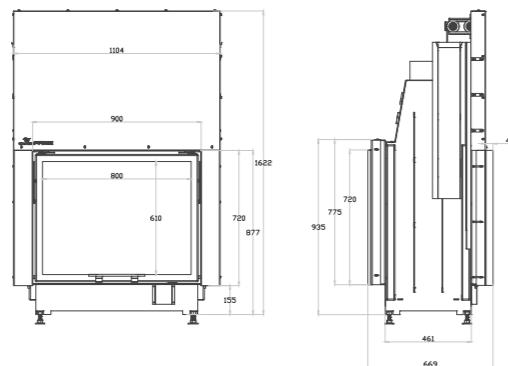
DOUBLE 80x64/G/V



DOUBLE 90x72/G/C



DOUBLE 90x72	G/C	G/V
Nominal Power (kW)	16	16
Heating Power Range (kW)	13 - 19	13 - 19
Heating Efficiency (%)	84	84
Weight (kg)	295	255
Material	Steel	Steel
Equipment	Cast Iron	Vermiculite
Fuel Type	Wood	Wood
Exhaust Outlet Diameter (mm)	250	250
Exhaust Gas Temperature (°C)	184	184
Max Wood Length (cm)	80	80
Warranty (Year) :	5	5



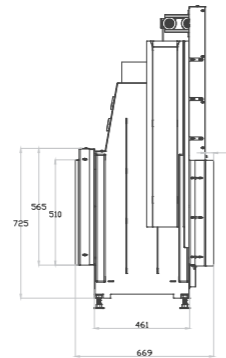
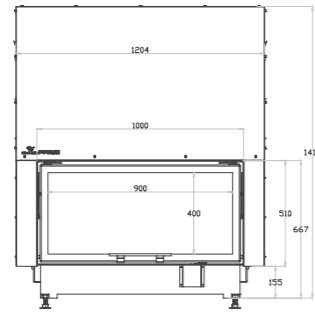
DOUBLE 90x72/G/V



DOUBLE 100x51/G/C



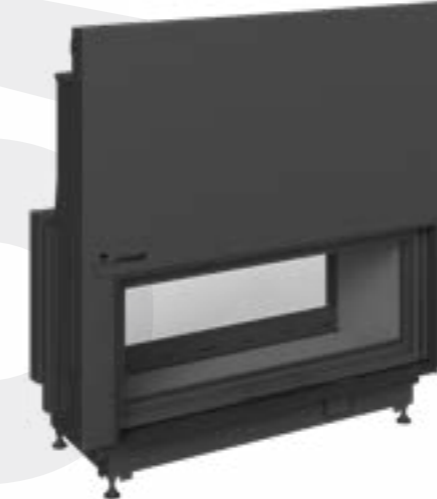
DOUBLE 100x51	G/C	G/V
Nominal Power (kW)	16	16
Heating Power Range (kW)	12 - 20	12 - 20
Heating Efficiency (%)	84	84
Weight (kg)	305	275
Material	Steel	Steel
Equipment	Cast Iron	Vermiculite
Fuel Type	Wood	Wood
Exhaust Outlet Diameter (mm)	250	250
Exhaust Gas Temperature (°C)	146	146
Max Wood Length (cm)	90	90
Warranty (Year) :	5	5



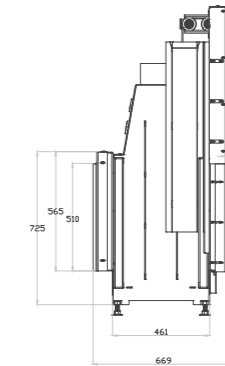
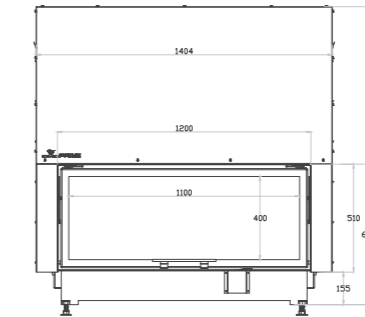
DOUBLE 100x51/G/V



DOUBLE 120x51/G/C



DOUBLE 120x51	G/C	G/V
Nominal Power (kW)	18	18
Heating Power Range (kW)	11 - 24	11 - 24
Heating Efficiency (%)	85	85
Weight (kg)	405	385
Material	Steel	Steel
Equipment	Cast Iron	Vermiculite
Fuel Type	Wood	Wood
Exhaust Outlet Diameter (mm)	250	250
Exhaust Gas Temperature (°C)	146	146
Max Wood Length (cm)	110	110
Warranty (Year) :	5	5



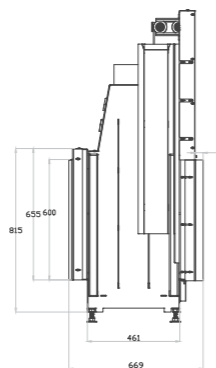
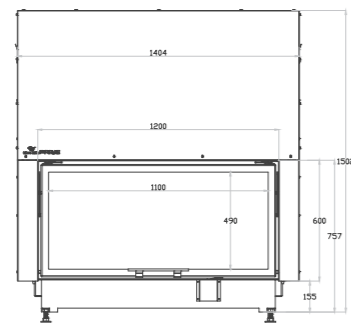
DOUBLE 120x51/G/V



DOUBLE 120x60/G/C



DOUBLE 120x60	G/C	G/V
Nominal Power (kW)	18	18
Heating Power Range (kW)	14 - 22	14 - 22
Heating Efficiency (%)	85	85
Weight (kg)	410	365
Material	Steel	Steel
Equipment	Cast Iron	Vermiculite
Fuel Type	Wood	Wood
Exhaust Outlet Diameter (mm)	250	250
Exhaust Gas Temperature (°C)	146	146
Max Wood Length (cm)	110	110
Warranty (Year) :	5	5



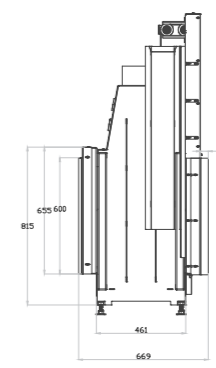
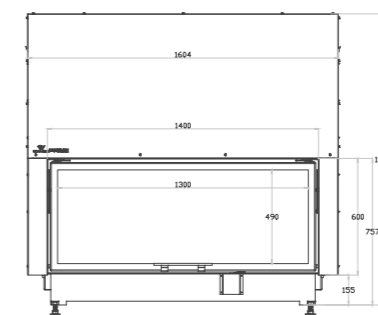
DOUBLE 120x60/G/V



DOUBLE 140x60/G/C



DOUBLE 140x60	G/C	G/V
Nominal Power (kW)	19	19
Heating Power Range (kW)	15 - 23	15 - 23
Heating Efficiency (%)	87	87
Weight (kg)	430	385
Material	Steel	Steel
Equipment	Cast Iron	Vermiculite
Fuel Type	Wood	Wood
Exhaust Outlet Diameter (mm)	250	250
Exhaust Gas Temperature (°C)	165	165
Max Wood Length (cm)	130	130
Warranty (Year) :	5	5



DOUBLE 140x60/G/V





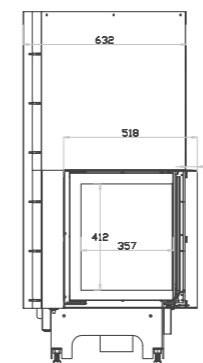
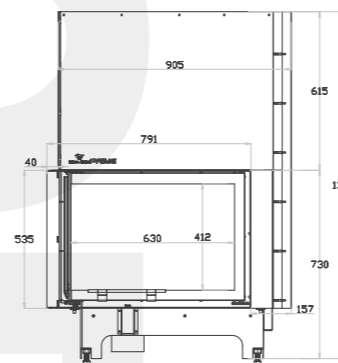
PRIME

Collection

- External decorative glass that gives the fireplace a modern look,
- Air-assisted window cleaning system,
- Automatic closing lids with vacuum system,
- A++ efficiency class,
- Adjustable legs for stabilising the fireplace,
- Adjustable air supply control for high efficiency,
- Secondary combustion system for recombustion of waste gases,

CORNER

CORNER 80/L/G/C

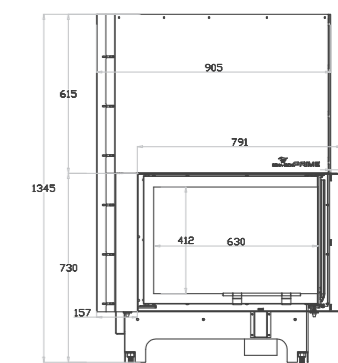
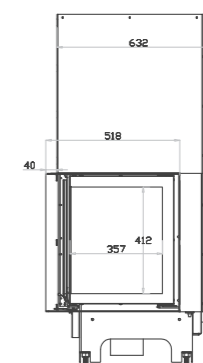


ECHA-TECH PRIME

CORNER 80	L/G/C & R/G/C
Nominal Power (kW)	14
Heating Power Range (kW)	11 - 17
Heating Efficiency (%)	82
Weight (kg)	284
Material	Steel
Equipment	Cast Iron
Fuel Type	Wood
Exhaust Outlet Diameter (mm)	200
Exhaust Gas Temperature (°C)	148
Max Wood Length (cm)	60
Warranty (Year) :	5



CORNER 80 R/G/C



www.echatech.com | '24

CORNER 80/L/G/V



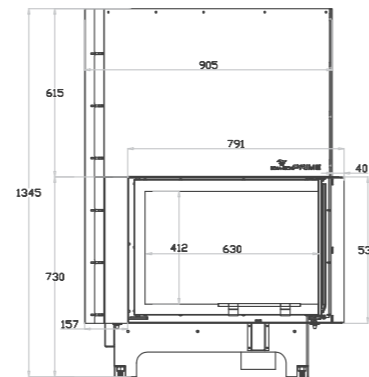
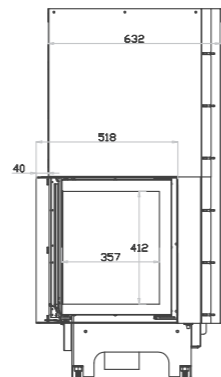
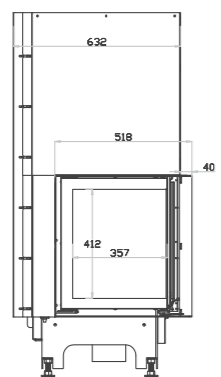
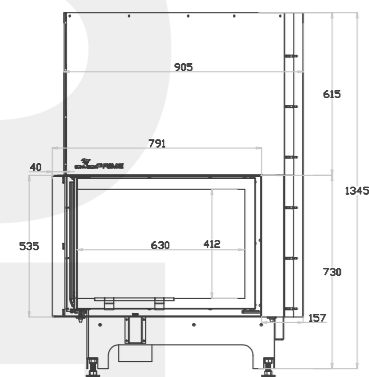
CORNER 80

Nominal Power (kW)
 Heating Power Range (kW)
 Heating Efficiency (%)
 Weight (kg)
 Material
 Equipment
 Fuel Type
 Exhaust Outlet Diameter (mm)
 Exhaust Gas Temperature (°C)
 Max Wood Length (cm)
 Warranty (Year) :

L/G/V & R/G/V

14
 11 - 17
 82
 241
 Steel
 Vermiculite
 Wood
 200
 148
 60
 5

CORNER 80/R/G/V

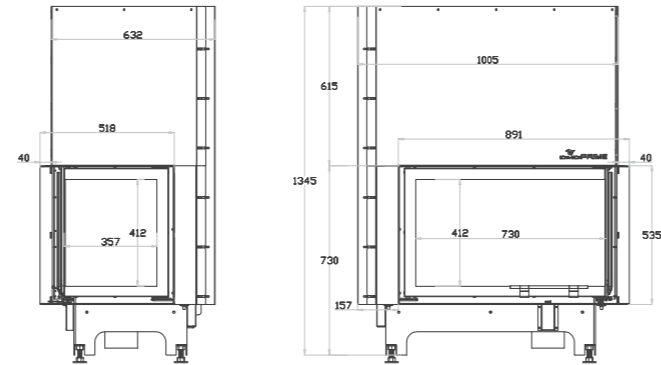


CORNER 90 L/G/C



CORNER 90	L/G/C & R/G/C
Nominal Power (kW)	16
Heating Power Range (kW)	8 - 21
Heating Efficiency (%)	84
Weight (kg)	297
Material	Steel
Equipment	Cast Iron
Fuel Type	Wood
Exhaust Outlet Diameter (mm)	200
Exhaust Gas Temperature (°C)	184
Max Wood Length (cm)	70
Warranty (Year) :	5

CORNER 90 R/G/C

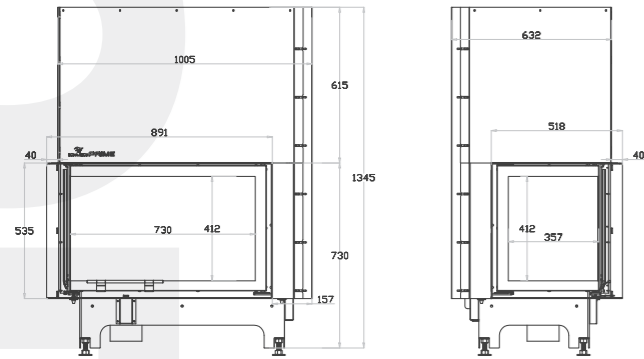
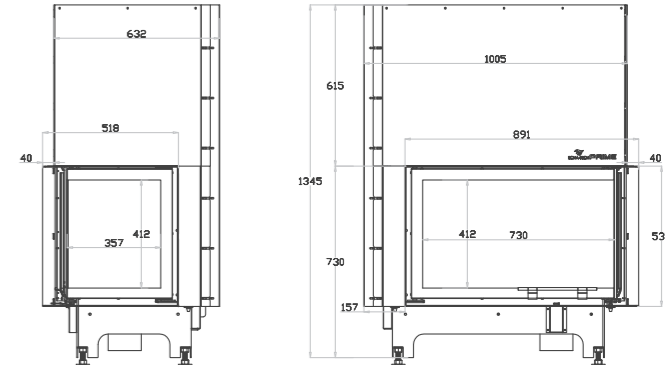


CORNER 90 L/G/V



CORNER 90	L/G/V & R/G/V
Nominal Power (kW)	16
Heating Power Range (kW)	8 - 21
Heating Efficiency (%)	84
Weight (kg)	251.5
Material	Steel
Equipment	Vermiculite
Fuel Type	Wood
Exhaust Outlet Diameter (mm)	200
Exhaust Gas Temperature (°C)	184
Max Wood Length (cm)	70
Warranty (Year) :	5

CORNER 90 R/G/V

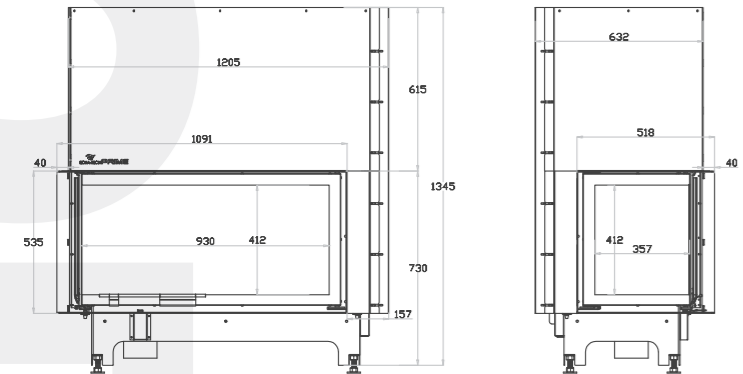


CORNER 110/L/G/C



CORNER 110	L/G/C & R/G/C
Nominal Power (kW)	17
Heating Power Range (kW)	9 - 22
Heating Efficiency (%)	85
Weight (kg)	284
Material	Steel
Equipment	Cast Iron
Fuel Type	Wood
Exhaust Outlet Diameter (mm)	250
Exhaust Gas Temperature (°C)	146
Max Wood Length (cm)	90
Warranty (Year) :	5

CORNER 110 R/G/C

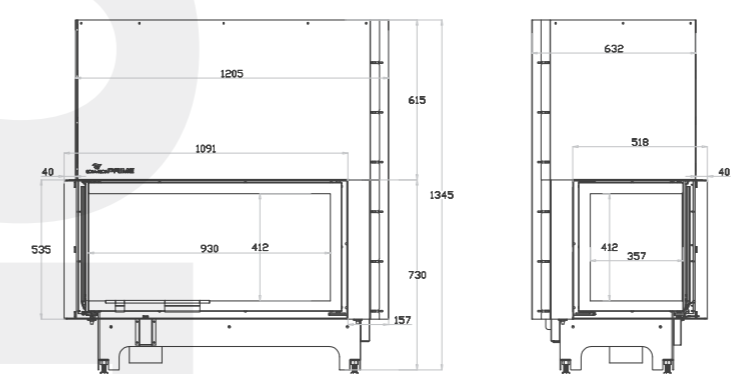
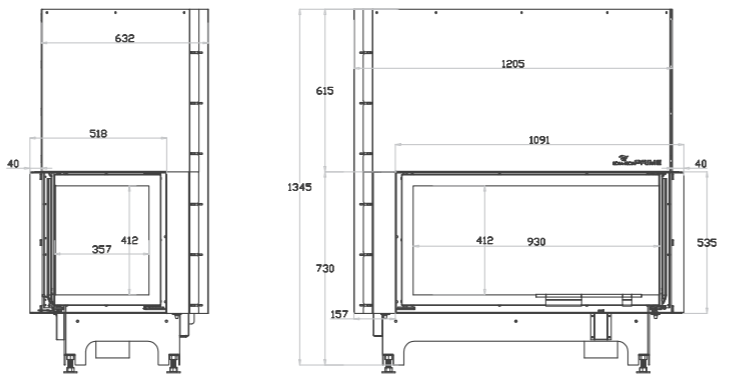


CORNER 110 L/G/V



CORNER 110	L/G/V & R/G/V
Nominal Power (kW)	17
Heating Power Range (kW)	9 - 22
Heating Efficiency (%)	85
Weight (kg)	241
Material	Steel
Equipment	Vermiculite
Fuel Type	Wood
Exhaust Outlet Diameter (mm)	250
Exhaust Gas Temperature (°C)	146
Max Wood Length (cm)	90
Warranty (Year) :	5

CORNER 110 R/G/V





PRIME

Collection

- External decorative glass that gives the fireplace a modern look,
- Air-assisted window cleaning system,
- Automatic closing lids with vacuum system,
- A++ efficiency class,
- Adjustable legs for stabilising the fireplace,
- Adjustable air supply control for high efficiency,
- Secondary combustion system for recombustion of waste gases,

3V 70/G/C

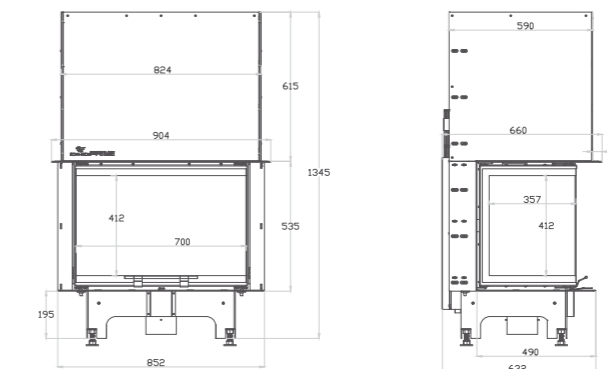


3V 70	G/C	G/V
Nominal Power (kW)	13	13
Heating Power Range (kW)	10 - 16	10 - 16
Heating Efficiency (%)	81	81
Weight (kg)	275	247
Material	Steel	Steel
Equipment	Cast Iron	Vermiculite
Fuel Type	Wood	Wood
Exhaust Outlet Diameter (mm)	200	200
Exhaust Gas Temperature (°C)	153	153
Max Wood Length (cm)	50	50
Warranty (Year) :	5	5

3V 70/G/V



3V



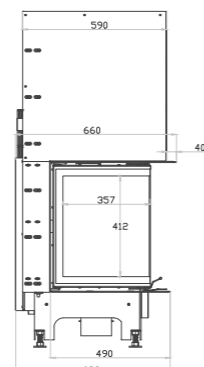
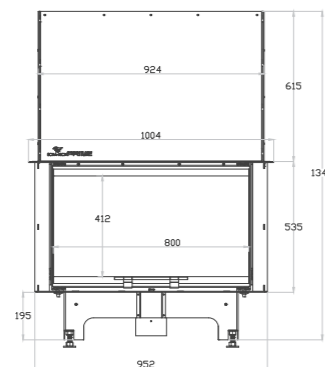
ECHA-TECH PRIME



3V 80/G/C



3V 80	G/C	G/V
Nominal Power (kW)	14	14
Heating Power Range (kW)	11 - 17	11 - 17
Heating Efficiency (%)	82	82
Weight (kg)	301	267
Material	Steel	Steel
Equipment	Cast Iron	Vermiculite
Fuel Type	Wood	Wood
Exhaust Outlet Diameter (mm)	200	200
Exhaust Gas Temperature (°C)	148	148
Max Wood Length (cm)	60	60
Warranty (Year) :	5	5



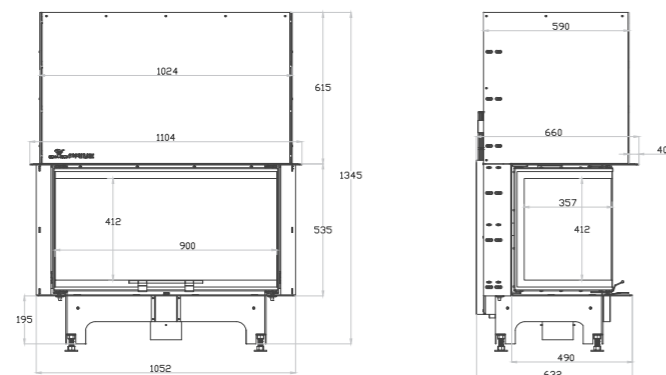
3V 80/G/V



3V 90/G/C



3V 90	G/C	G/V
Nominal Power (kW)	16	16
Heating Power Range (kW)	8 - 21	8 - 21
Heating Efficiency (%)	84	84
Weight (kg)	325	281
Material	Steel	Steel
Equipment	Cast Iron	Vermiculite
Fuel Type	Wood	Wood
Exhaust Outlet Diameter (mm)	200	200
Exhaust Gas Temperature (°C)	184	184
Max Wood Length (cm)	70	70
Warranty (Year) :	5	5



48

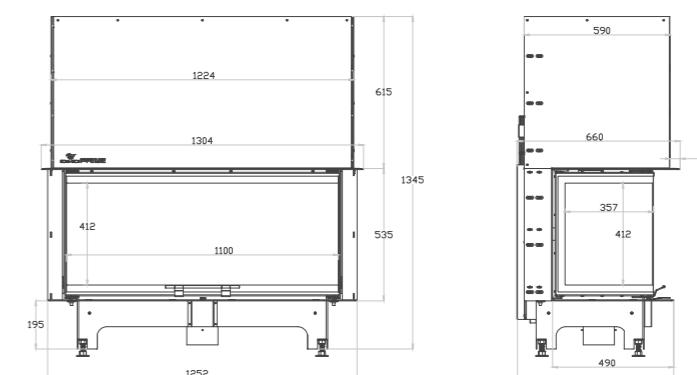
3V 90/G/V



3V 110/G/C



3V 110	G/C	G/V
Nominal Power (kW)	17	17
Heating Power Range (kW)	13 - 19	13 - 19
Heating Efficiency (%)	85	85
Weight (kg)	369	325
Material	Steel	Steel
Equipment	Cast Iron	Vermiculite
Fuel Type	Wood	Wood
Exhaust Outlet Diameter (mm)	250	250
Exhaust Gas Temperature (°C)	146	146
Max Wood Length (cm)	90	90
Warranty (Year) :	5	5



49

3V 110/G/V





PRIME

Collection

- External decorative glass that gives the fireplace a modern look,
- Air-assisted window cleaning system,
- Automatic closing lids with vacuum system,
- A++ efficiency class,
- Adjustable legs for stabilising the fireplace,
- Adjustable air supply control for high efficiency,
- Secondary combustion system for recombustion of waste gases,

EPI 80/C



EPI 80

Nominal Power (kW)	14	14
Heating Power Range (kW)	8 - 21	8 - 21
Heating Efficiency (%)	82	82
Weight (kg)	335	305
Material	Steel	Steel
Equipment	Cast Iron	Vermiculite
Fuel Type	Wood	Wood
Exhaust Outlet Diameter (mm)	200	200
Exhaust Gas Temperature (°C)	148	148
Max Wood Length (cm)	50	50
Warranty (Year) :	5	5

C

Nominal Power (kW)	14	14
Heating Power Range (kW)	8 - 21	8 - 21
Heating Efficiency (%)	82	82
Weight (kg)	335	305
Material	Steel	Steel
Equipment	Cast Iron	Vermiculite
Fuel Type	Wood	Wood
Exhaust Outlet Diameter (mm)	200	200
Exhaust Gas Temperature (°C)	148	148
Max Wood Length (cm)	50	50
Warranty (Year) :	5	5

V

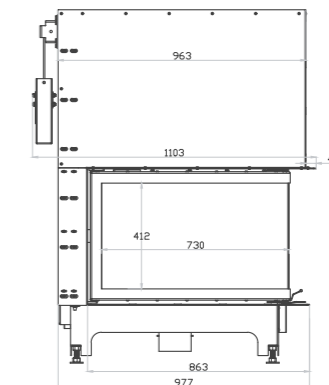
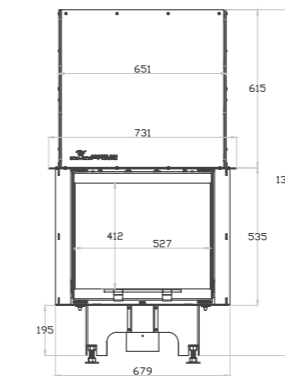
Nominal Power (kW)	14	14
Heating Power Range (kW)	8 - 21	8 - 21
Heating Efficiency (%)	82	82
Weight (kg)	335	305
Material	Steel	Steel
Equipment	Cast Iron	Vermiculite
Fuel Type	Wood	Wood
Exhaust Outlet Diameter (mm)	200	200
Exhaust Gas Temperature (°C)	148	148
Max Wood Length (cm)	50	50
Warranty (Year) :	5	5

EPI 80/V



EPI

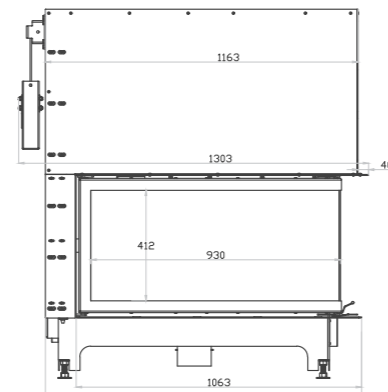
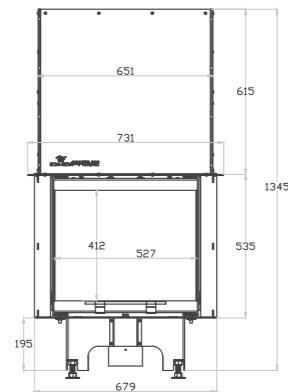
ECHA-TECH PRIME



EPI 100/C



EPI 100	C	V
Nominal Power (kW)	16	16
Heating Power Range (kW)	11 - 24	11 - 24
Heating Efficiency (%)	84	84
Weight (kg)	373	340
Material	Steel	Steel
Equipment	Cast Iron	Vermiculite
Fuel Type	Wood	Wood
Exhaust Outlet Diameter (mm)	250	250
Exhaust Gas Temperature (°C)	184	184
Max Wood Length (cm)	70	70
Warranty (Year) :	5	5



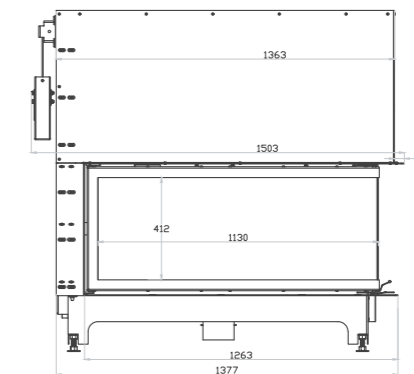
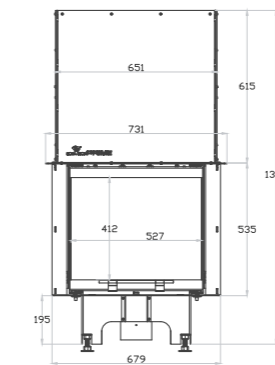
EPI 100/V



EPI 120/C



EPI 120	C	V
Nominal Power (kW)	17	17
Heating Power Range (kW)	15 - 21	15 - 21
Heating Efficiency (%)	85	85
Weight (kg)	415	375
Material	Steel	Steel
Equipment	Cast Iron	Vermiculite
Fuel Type	Wood	Wood
Exhaust Outlet Diameter (mm)	250	250
Exhaust Gas Temperature (°C)	146	146
Max Wood Length (cm)	80	80
Warranty (Year) :	5	5



EPI 120/V





PRIME

Collection

- External decorative glass that gives the fireplace a modern look,
- Air-assisted window cleaning system,
- Automatic closing lids with vacuum system,
- A++ efficiency class,
- Adjustable legs for stabilising the fireplace,
- Adjustable air supply control for high efficiency,
- Secondary combustion system for recombustion of waste gases,

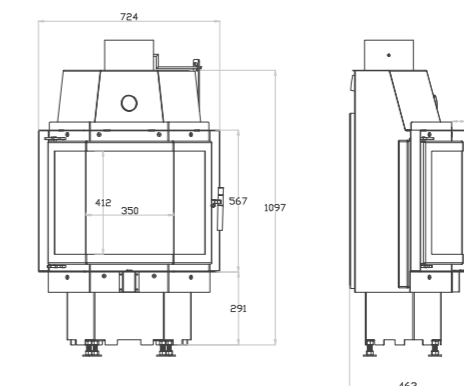
PRIZMA

PRIZMA MEDIUM/C



PRIZMA MEDIUM	C	V
Nominal Power (kW)	12	12
Heating Power Range (kW)	10 - 14	10 - 14
Heating Efficiency (%)	80	80
Weight (kg)	207	173
Material	Ceramic Glass / Steel	Ceramic Glass / Steel
Equipment	Cast Iron	Vermiculite
Fuel Type	Wood	Wood
Exhaust Outlet Diameter (mm)	200	200
Exhaust Gas Temperature (°C)	153	153
Max Wood Length (cm)	40	40
Warranty (Year) :	5	5

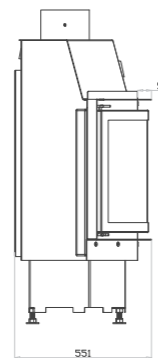
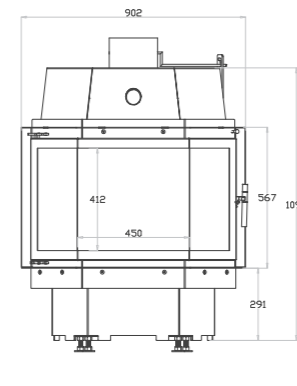
PRIZMA MEDIUM/V



PRIZMA LARGE/C



PRIZMA LARGE	C	V
Nominal Power (kW)	14	14
Heating Power Range (kW)	12 - 16	12 - 16
Heating Efficiency (%)	82	82
Weight (kg)	241	207
Material	Ceramic Glass / Steel	Ceramic Glass / Steel
Equipment	Cast Iron	Vermiculite
Fuel Type	Wood	Wood
Exhaust Outlet Diameter (mm)	200	200
Exhaust Gas Temperature (°C)	148	148
Max Wood Length (cm)	50	50
Warranty (Year) :	5	5



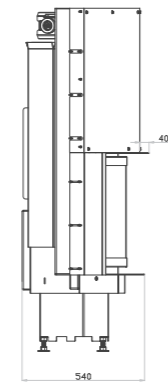
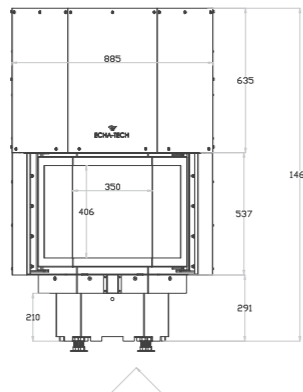
PRIZMA LARGE/V



PRIZMA MEDIUM/G/C



PRIZMA MEDIUM	G/C	G/V
Nominal Power (kW)	12	12
Heating Power Range (kW)	10 - 14	10 - 14
Heating Efficiency (%)	80	80
Weight (kg)	252	216
Material	Ceramic Glass / Steel	Ceramic Glass / Steel
Equipment	Cast Iron	Vermiculite
Fuel Type	Wood	Wood
Exhaust Outlet Diameter (mm)	200	200
Exhaust Gas Temperature (°C)	165	165
Max Wood Length (cm)	40	40
Warranty (Year) :	5	5



58

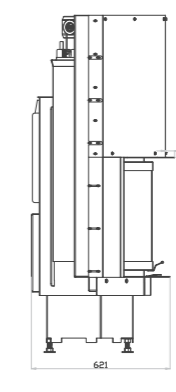
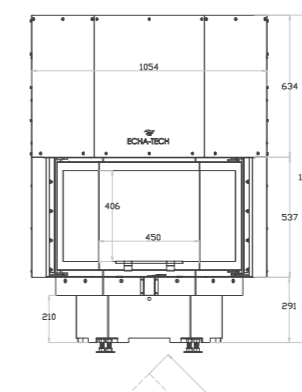
PRIZMA MEDIUM/G/V



PRIZMA LARGE/G/C



PRIZMA LARGE	G/C	G/V
Nominal Power (kW)	14	14
Heating Power Range (kW)	12 - 16	12 - 16
Heating Efficiency (%)	82	82
Weight (kg)	276	239
Material	Ceramic Glass / Steel	Ceramic Glass / Steel
Equipment	Cast Iron	Vermiculite
Fuel Type	Wood	Wood
Exhaust Outlet Diameter (mm)	200	200
Exhaust Gas Temperature (°C)	148	148
Max Wood Length (cm)	50	50
Warranty (Year) :	5	5



59

PRIZMA LARGE/G/V





Water System Fireplace Inserts

Collection

External decorative glass that gives the fireplace a modern look,

Air-assisted window cleaning system,

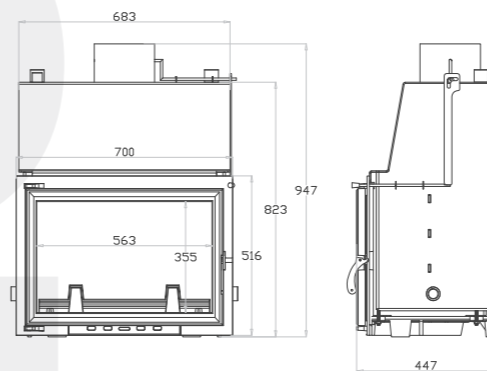
High efficiency

Central heating



CYSSUS

CYSSUS 700



CYSSUS

Nominal Power (kW)

Heating Power Range (kW)

Heating Efficiency (%)

Weight (kg)

Material

Equipment

Fuel Type

Water Capacity (l)

Exhaust Outlet Diameter (mm)

Exhaust Gas Temperature (°C)

Max Wood Length (cm)

Warranty (Year) :

700

14

7 - 20

75

132

Ceramic Glass /
Cast Iron / Steel

Cast Iron

Wood / Water

35

200

153

50

5

800

17

11 - 24

77

206

Ceramic Glass /
Cast Iron / Steel

Cast Iron

Wood / Water

45

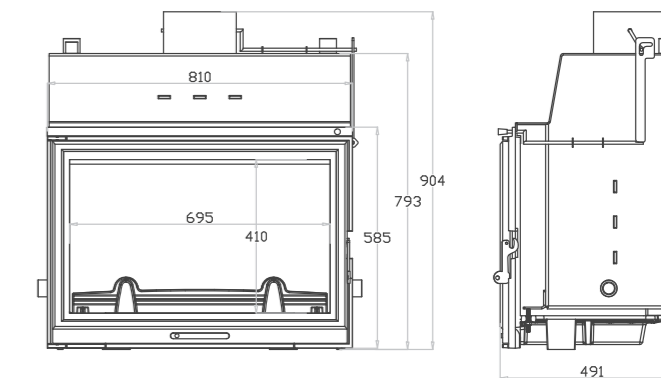
200

177

60

5

CYSSUS 800





Stove

Collection

- External decorative glass that gives the fireplace a modern look,
- Air-assisted window cleaning system,
- A++ efficiency class,
- Adjustable air supply control for high efficiency,
- Secondary combustion system for recombustion of waste gases,

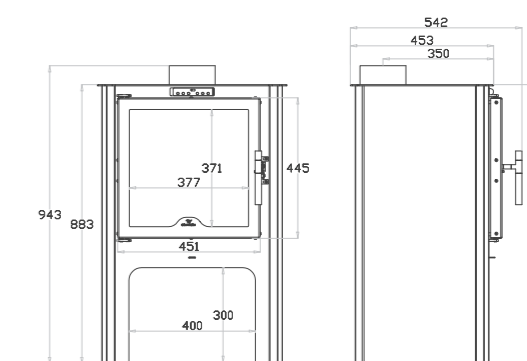
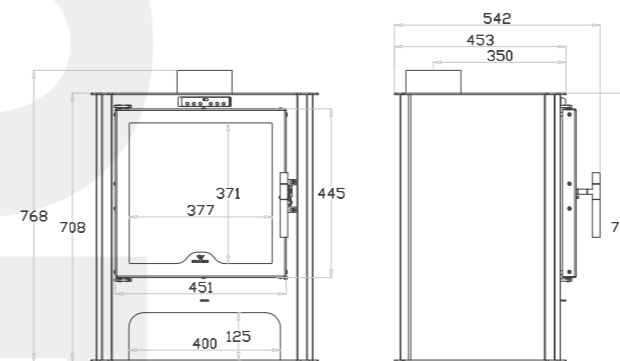
TEOS

TEOS 500



TEOS	500	500/H
Nominal Power (kW)	10	10
Heating Power Range (kW)	8 - 12	8 - 12
Heating Efficiency (%)	85	85
Weight (kg)	98	105
Material	Steel	Steel
Equipment	Vermiculite	Vermiculite
Fuel Type	Wood	Wood
Exhaust Outlet Diameter (mm)	150	150
Exhaust Gas Temperature (°C)	148	148
Max Wood Length (cm)	40	40
Warranty (Year) :	5	5

TEOS 500/H



TEOS 500/K

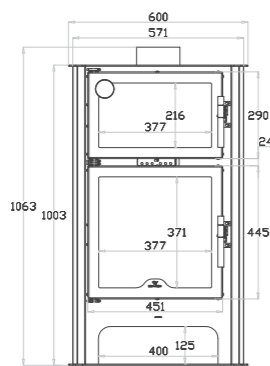


TEOS

Nominal Power (kW)
 Heating Power Range (kW)
 Heating Efficiency (%)
 Weight (kg)
 Material
 Equipment
 Fuel Type
 Max Oven Temperature (°C)
 Exhaust Outlet Diameter (mm)
 Exhaust Gas Temperature (°C)
 Max Wood Length (cm)
 Warranty (Year) :

500/K

10
 8 - 12
 85
 133
 Steel
 Vermiculite
 Wood
 300
 150
 148
 40
 5





Gas Fireplace Inserts

Collection



VOURLA

ADVANTAGES OF THE VOURLA

- They can be installed for 3 type chimney system C11,C31,C91
- Screen height is wider than many producer.
- Burners are 3D as you know not linear logs are very rich and looks very real and turns to red color when it burns.
- Meet the essential requirements as described in the Regulation(EU) 2016/426 relating to appliances burning gaseous fuels.

GAS CONTROL SYSTEM

ECHA-TECH gas fireplaces VOURLA series products, gas control systems produced by the German Maxitrol company are used.



EASE OF USE

For all Vourla series products, you can control them with the help of remote control without leaving your seat.

- Child Lock
- Programmed Mode
- Thermostat Mode
- Eco Mode
- Sleep Timer

VOURLA 80



VOURLA	80		80/L	
	NG	LPG	NG	LPG
Fuel Type				
Width (mm)	860	860	925	925
Height (mm)	1076	1076	1076	1076
Depth (mm)	505	505	505	505
Chimney (Ø)	100/150	100/150	100/150	100
Weight (kg)	130.62	130.62	127.37	127.37
Material	Steel	Steel	Steel	Steel
Rated Output (kW)	10	9	10	9
Heating Power Range (kW)	5 - 10	5 - 9	5 - 10	5 - 9
Efficiency (%)	88.70	88.70	88.70	88.70
Warranty (Year)	2	2	2	2

VOURLA 80/L

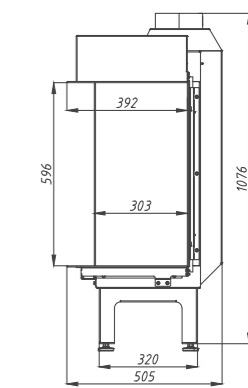
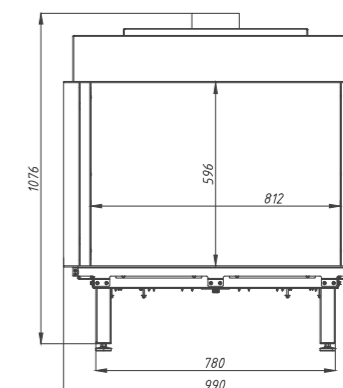
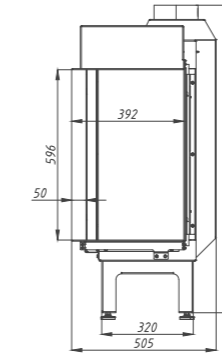
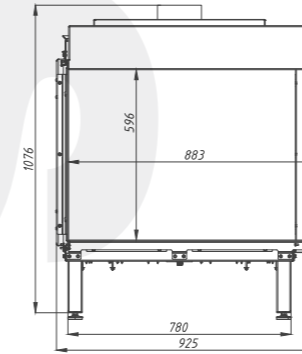
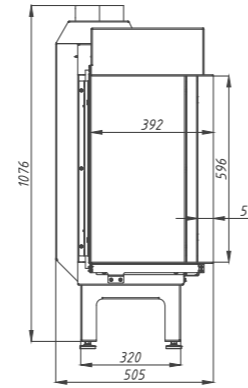
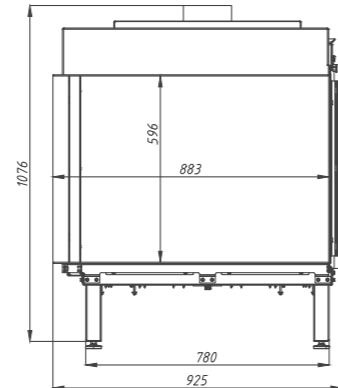
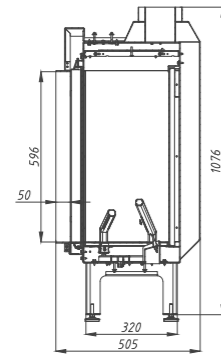
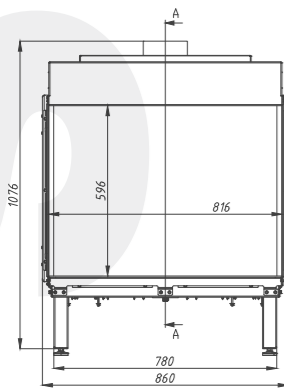


VOURLA 80/R



VOURLA 80	R		3V	
	NG	LPG	NG	LPG
Fuel Type				
Width (mm)	925	925	990	990
Height (mm)	1076	1076	1076	1076
Depth (mm)	505	505	505	505
Chimney (Ø)	100/150	100/150	100/150	100
Weight (kg)	127.37	127.37	124.08	124.08
Material	Steel	Steel	Steel	Steel
Rated Output (kW)	10	9	10	9
Heating Power Range (kW)	5 - 10	5 - 9	5 - 10	5 - 9
Efficiency (%)	88.70	88.70	88.70	88.70
Warranty (Year)	2	2	2	2

VOURLA 80/3V



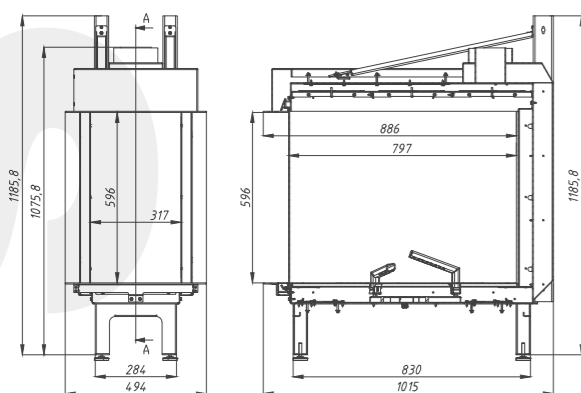
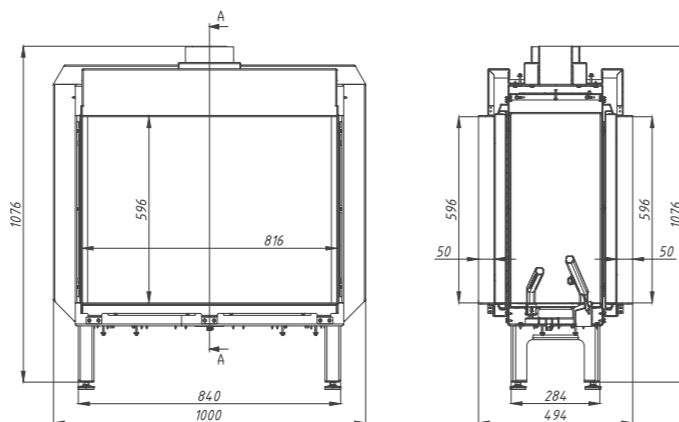
VOURLA 80/EPI



VOURLA 80

Fuel Type	NG	LPG	NG	LPG
Width (mm)	1015	1015	1000	1000
Height (mm)	1186	1186	1076	1076
Depth (mm)	494	494	494	494
Chimney (Ø)	100/150	100/150	100/150	100
Weight (kg)	129.44	129.44	137.7	137.7
Material	Steel	Steel	Steel	Steel
Rated Output (kW)	10	9	10	9
Heating Power Range (kW)	5 - 10	5 - 9	5 - 10	5 - 9
Efficiency (%)	88.70	88.70	88.70	88.70
Warranty (Year)	2	2	2	2

VOURLA 80/T



VOURLA 100



VOURLA	100		100/L	
	NG	LPG	NG	LPG
Fuel Type				
Width (mm)	1060	1060	925	925
Height (mm)	976	976	1076	1076
Depth (mm)	505	505	505	505
Chimney (Ø)	100/150	100/150	100/150	100
Weight (kg)	141.94	141.94	127.37	127.37
Material	Steel	Steel	Steel	Steel
Rated Output (kW)	11	10	10	9
Heating Power Range (kW)	5.5 - 11	5.5 - 11	5 - 10	5 - 9
Efficiency (%)	83.30	83.30	88.70	88.70
Warranty (Year)	2	2	2	2

VOURLA 100/L

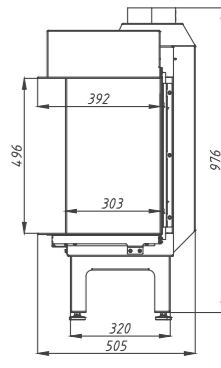
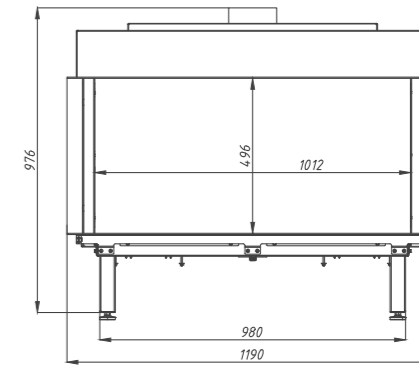
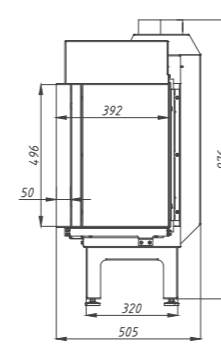
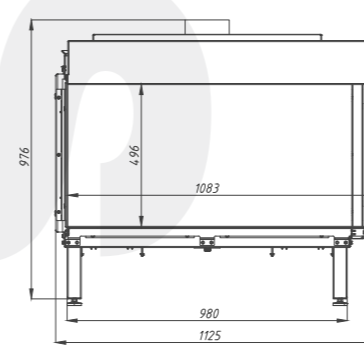
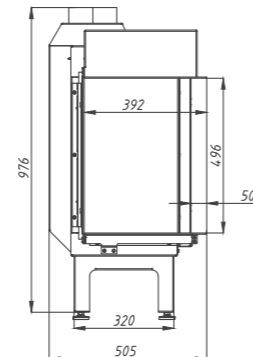
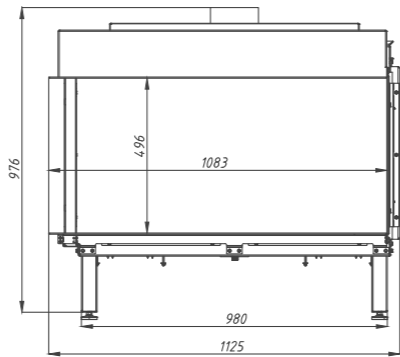
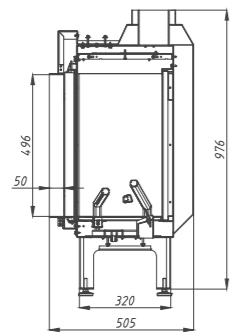
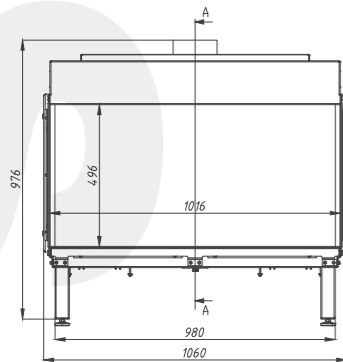


VOURLA 100 R



VOURLA 100	R		3V	
	NG	LPG	NG	LPG
Fuel Type				
Width (mm)	1125	1125	1190	1190
Height (mm)	976	976	976	976
Depth (mm)	505	505	505	505
Chimney (Ø)	100/150	100/150	100/150	100
Weight (kg)	124.36	124.36	137.49	137.49
Material	Steel	Steel	Steel	Steel
Rated Output (kW)	11	10	11	10
Heating Power Range (kW)	5.5 - 11	5.5 - 11	5.5 - 11	5.5 - 11
Efficiency (%)	83.30	83.30	83.30	83.30
Warranty (Year)	2	2	2	2

VOURLA 100/3V



VOURLA 100/EPI



VOURLA 100

Fuel Type				
Width (mm)	1215	1215	1200	1200
Height (mm)	1086	1086	976	976
Depth (mm)	494	494	494	494
Chimney (Ø)	100/150	100/150	100/150	100
Weight (kg)	133.2	133.2	145.4	145.4
Material	Steel	Steel	Steel	Steel
Rated Output (kW)	11	10	11	10
Heating Power Range (kW)	5.5-11	5.5-10	5.5 - 11	5.5 - 10
Efficiency (%)	83.30	83.30	83.30	83.30
Warranty (Year)	2	2	2	2

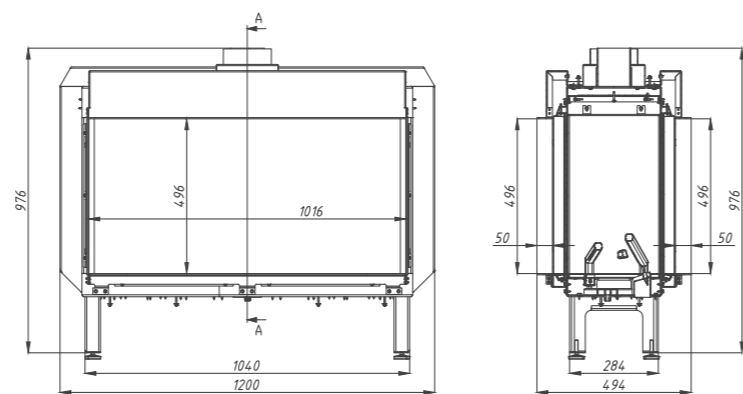
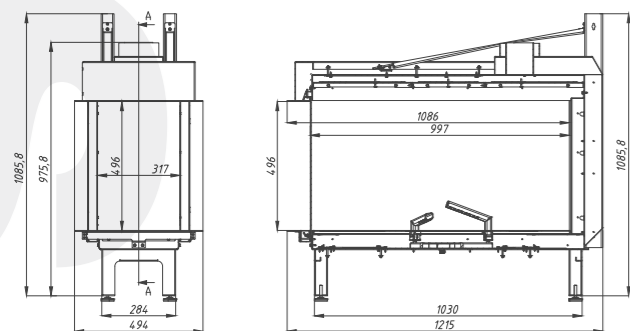
VOURLA 100/T



EPI

T

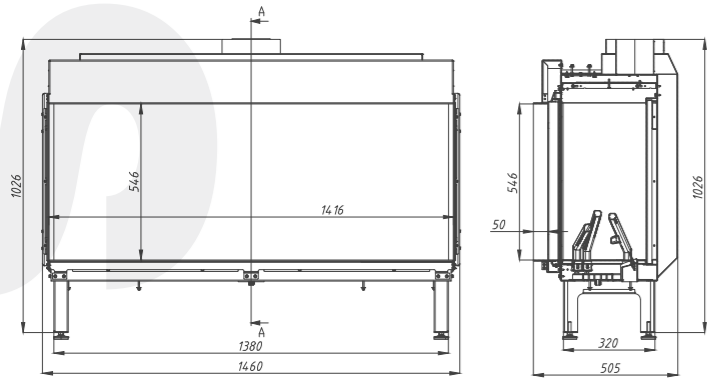
	NG	LPG	NG	LPG
Width (mm)	1215	1215	1200	1200
Height (mm)	1086	1086	976	976
Depth (mm)	494	494	494	494
Chimney (Ø)	100/150	100/150	100/150	100
Weight (kg)	133.2	133.2	145.4	145.4
Material	Steel	Steel	Steel	Steel
Rated Output (kW)	11	10	11	10
Heating Power Range (kW)	5.5-11	5.5-10	5.5 - 11	5.5 - 10
Efficiency (%)	83.30	83.30	83.30	83.30
Warranty (Year)	2	2	2	2



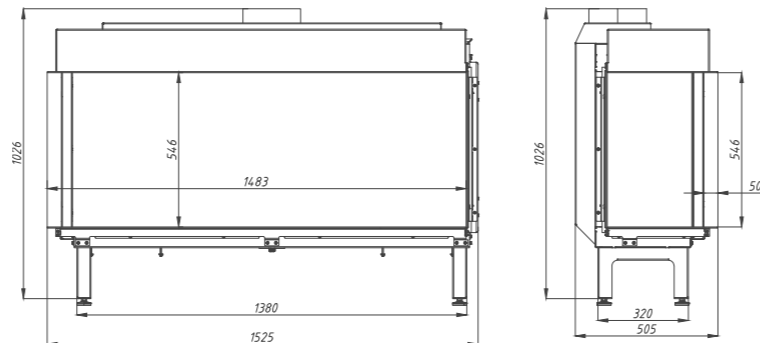
VOURLA 140



VOURLA	140		140/L	
	NG	LPG	NG	LPG
Fuel Type				
Width (mm)	1460	1460	1525	1525
Height (mm)	1026	1026	1026	1026
Depth (mm)	505	505	505	505
Chimney (Ø)	130/200	130/200	130/200	130/200
Weight (kg)	130.62	130.62	195.72	195.72
Material	Steel	Steel	Steel	Steel
Rated Output (kW)	10	9	15	15
Heating Power Range (kW)	5 - 10	5 - 9	10-15	10-15
Efficiency (%)	88.70	88.70	86.10	86.10
Warranty (Year)	2	2	2	2



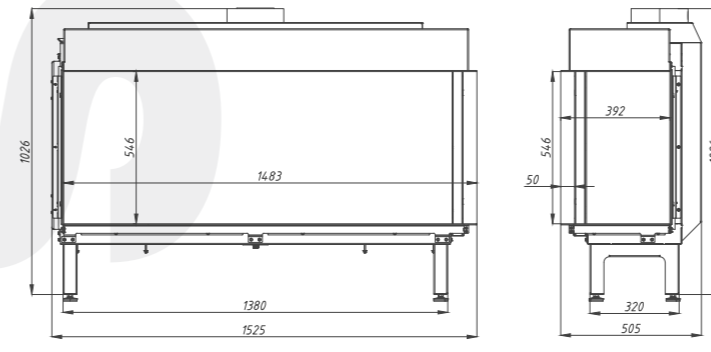
VOURLA 140/L



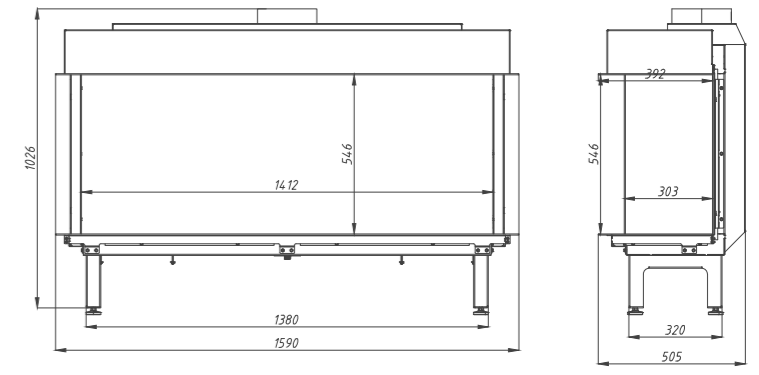
VOURLA 140/R



VOURLA	140/R		140/3V	
	NG	LPG	NG	LPG
Fuel Type				
Width (mm)	1525	1525	1590	1590
Height (mm)	1026	1026	1026	1026
Depth (mm)	505	505	505	505
Chimney (Ø)	130/200	130/200	130/200	130/200
Weight (kg)	195.72	195.72	191.65	191.65
Material	Steel	Steel	Steel	Steel
Rated Output (kW)	15	15	15	15
Heating Power Range (kW)	10 - 15	10 - 15	10 - 15	10 - 15
Efficiency (%)	86.10	86.10	86.10	86.10
Warranty (Year)	2	2	2	2



VOURLA 140/3V



VOURLA 140/EPI



VOURLA 140

Fuel Type	NG	LPG	NG	LPG
Width (mm)	1615	1615	1600	1600
Height (mm)	1136	1136	1026	1026
Depth (mm)	494	494	494	494
Chimney (Ø)	130/200	130/200	130/200	130/200
Weight (kg)	194.8	194.8	200.2	200.2
Material	Steel	Steel	Steel	Steel
Rated Output (kW)	15	15	15	15
Heating Power Range (kW)	10-15	10-15	10-15	10-15
Efficiency (%)	86.10	86.10	86.10	86.10
Warranty (Year)	2	2	2	2

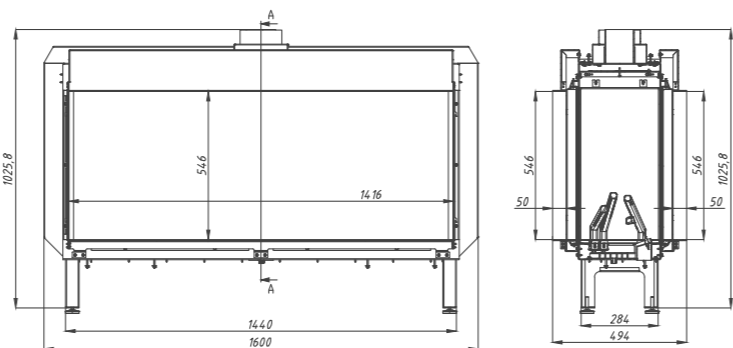
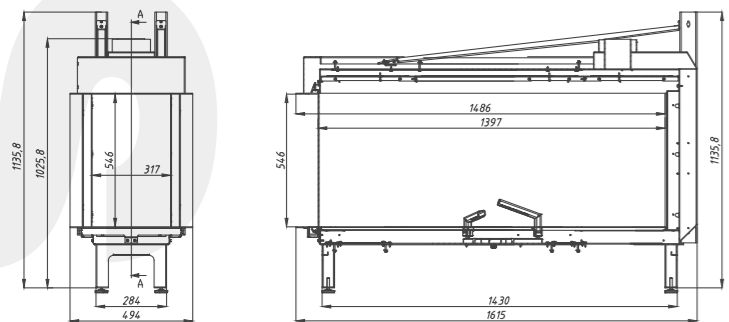
EPI

Fuel Type	NG	LPG
Width (mm)	1615	1615
Height (mm)	1136	1136
Depth (mm)	494	494
Chimney (Ø)	130/200	130/200
Weight (kg)	194.8	194.8
Material	Steel	Steel
Rated Output (kW)	15	15
Heating Power Range (kW)	10-15	10-15
Efficiency (%)	86.10	86.10
Warranty (Year)	2	2

T

Fuel Type	NG	LPG
Width (mm)	1600	1600
Height (mm)	1026	1026
Depth (mm)	494	494
Chimney (Ø)	130/200	130/200
Weight (kg)	200.2	200.2
Material	Steel	Steel
Rated Output (kW)	15	15
Heating Power Range (kW)	10-15	10-15
Efficiency (%)	86.10	86.10
Warranty (Year)	2	2

VOURLA 140/T

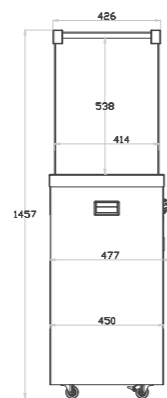
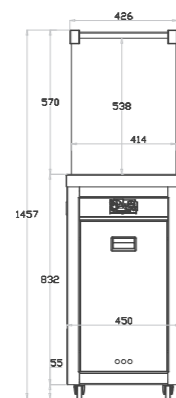


CHIMERA



CHIMERA

Power (kW)	8
Heating Power Range (kW)	4,5 - 8
Weight (kg)	45
Material	Steel
Fuel Type	Gas / LPG- G30-G31
Warranty (Year) :	2



80



www.echatech.com | '24





Factory

CALL US
+90(232) 323 69 67

E-MAIL
info@echatech.com

LOCATION
İZMİR, TURKEY



Head Office

CALL US
+48 723 947 337

E-MAIL
export@echatech.com

LOCATION
WARSAW, POLAND