

# DHI-KTD02(S)

## 2-wire Villa Door Station & 2-wire & Wi-Fi Indoor Monitor



### Technical Specification

DHI-VTO2202F-L

#### System

Main Processor	Embedded Processor
Operating System	Embedded Linux Operation System
Button Type	Mechanical
Interoperability	ONVIF; CGI
Network Protocol	IPv4; RTSP; UDP; DNS; P2P; UPnP; RTP; TCP; SIP

#### Alarm

Tamper Alarm	Yes
--------------	-----

#### Basic

Camera	1/2.8" 2 MP CMOS high definition, low illumination/WDR, color/IR
Field of View	Horizontal: 168.6°; vertical: 87.1°; diagonal: 176.7°
Focal Length	1.9 mm
WDR	120 dB
Noise Reduction	3D NR
Video Compression	H.265; H.264
Video Resolution	50 Hz: Main stream (720p@25 fps), sub stream (1080p@25 fps) 60 Hz: Main stream (720p@30 fps), sub stream (1080p@30 fps)
Video Frame Rate	25 fps
Video Bit Rate	256 Kbps to 4 Mbps
Light Compensation	Auto IR
Day/Night	Auto (ICR)/Color/B/W

#### 2-wire Villa Door Station

- Anodized aluminum front panel
- CMOS low illumination 2 MP HD colorful 160° fisheye camera
- Video intercom function
- Access control function that supports two locks
- Mobile phone app, talk to the visitor or unlock the door remotely on your phone
- Compatible with 2-wire interface & RJ45 interface
- IK07 & IP65
- H.265
- Surface and flush mount

#### 2-wire & Wi-Fi Indoor Monitor

- 7" TFT capacitive touch screen, 1024 × 600
- 6-channel alarm input and 1-channel alarm output
- Wi-Fi
- Outdoor station and IPC monitor
- H.265 and H.264 video coding
- 2-wire digital communication
- High performance & cost-effective



Audio Compression	G.711a; G.711u; PCM
Audio Input	1-channel
Audio Output	Built-in speaker
Audio Mode	2-channel
Audio Enhancement	Echo suppression/digital noise reduction
Audio Bit Rate	16 kHz, 16 bit
Status Indicator Light	3

#### Port

RS-485	1
Electric Lock	1
Alarm Output	1
Power Output	1 × 12 VDC output, 100 mA
Exit Button	1
Door Status Detection	1
Lock Control	1
Network	One RJ45 10/100 Mbps Ethernet

#### General

Appearance color	Silver
------------------	--------

# DHI-KTD02(S)

Power Supply	48 VDC 1.25A
Power Adapter	Optional
Installation	Flush/surface mount
Certifications	CE; FCC; UL
Accessory	Surface mount box (optional); flush mount box (optional); rain cover (optional)
Dimensions	130 mm × 96 mm × 28.5 mm (5.12" × 3.78" × 1.12")
Protection	IK07; IP65
Operating Temperature	-30 °C to +60 °C (-22 °F to 140 °F)
Operating Humidity	10%–90% RH (non-condensing)
Operating Altitude	Beneath 3,000 m (9,842.52 ft)
Power Consumption	≤ 6 W
Net Weight	0.35 kg (0.77 lb)
Gross Weight	0.4 kg (0.88 lb)
Protection Grade	IP 65 (silicone sealant is needed, see the quick start guide) IK04 (for common use)
Operating Temperature	-30 °C to +60 °C (-22 °F to 140 °F)
Operating Humidity	10%–90% RH (non-condensing)
Operating Altitude	Beneath 3,000 m (9,842.52 ft)
Power Consumption	Standby ≤ 1 W, working ≤ 5 W
Gross Weight	0.32 kg (0.72 lb)

## DHI-VTH2622GW-W

### System

Main Processor	Embedded processor
Operating System	Embedded Linux operating system
Network Protocol	IPv4, FTP, UPnP, SNMP, DNS, DDNS, RTSP, RTP, TCP, UDP, SIP

### Basic

Screen Type	Capacitive touchscreen
Display	7" TFT
Screen Resolution	1024 × 600
Audio Compression	G.711a; G.711u; PCM
Audio Input	1
Audio Output	Built-in speaker
Audio Mode	2-channel
Audio Enhancement	Echo suppression
Audio Bit Rate	16 kHz; 16 bit

### Function

Communication Mode	Digital 2-wire
Information Release	Receive and view text information released by the management center

DND Mode	Do not disturb period can be set; Do not disturb mode
Wi-Fi	Yes
Wireless Standard	IEEE802.11b/802.11g/802.11n
Wireless Frequency Range	2.4 GHz

### Performance

Casing	PC + ABS
--------	----------

### Port

Alarm Input	6
Alarm Output	1
Power Output	1 (12V/200mA)
Door Bell	Yes (use any alarm input port)
Network	One 10 Mbps/100 Mbps Ethernet

### Alarm

SOS	Yes
-----	-----

### General

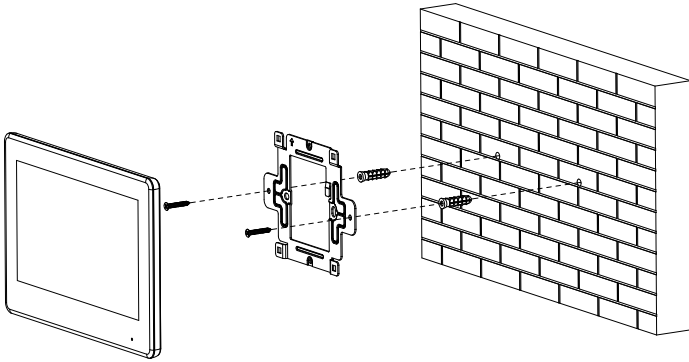
Color	White
Power Supply	48 VDC 1.25A
Installation	Surface mount
Certifications	CE; FCC
Accessory	Bracket and alarm ribbon cable (included)
Dimensions	189.6 mm × 134.6 mm × 26.0 mm (7.50" × 5.30" × 1.00")
Operating Temperature	-10 °C to +55 °C (+14 °F to 131 °F)
Operating Humidity	10%–95% (non-condensing)
Operating Altitude	Beneath 3,000 m (9,842.52 ft)
Power Consumption	Standby ≤ 2 W; working ≤ 6 W
Net Weight	0.34 kg (0.74 lb)
Gross Weight	0.58 kg (1.27 lb)

# DHI-KTD02(S)

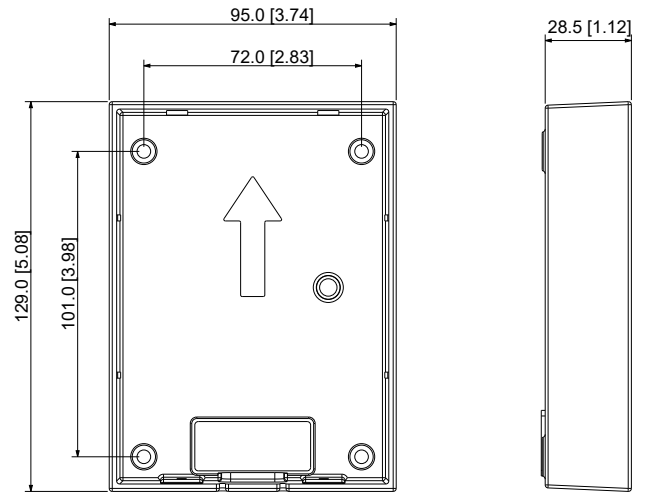
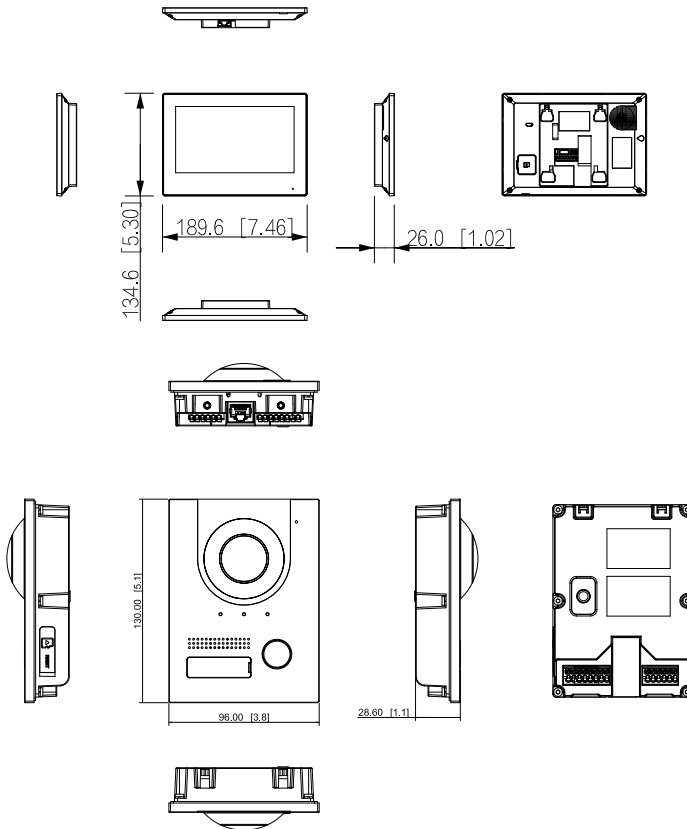
## Ordering Information

Type	Model	Description
Kit	DHI-KTD02(S)	Video Intercom Kit. It includes: DHI-VTH2622GW-W: 2-wire & Wi-Fi Indoor Monitor DHI-VTO2202F-L: 2-wire Villa Door Station VTM115: Flush mounted box

## Installation



## Dimensions (mm[inch])



## Application

